



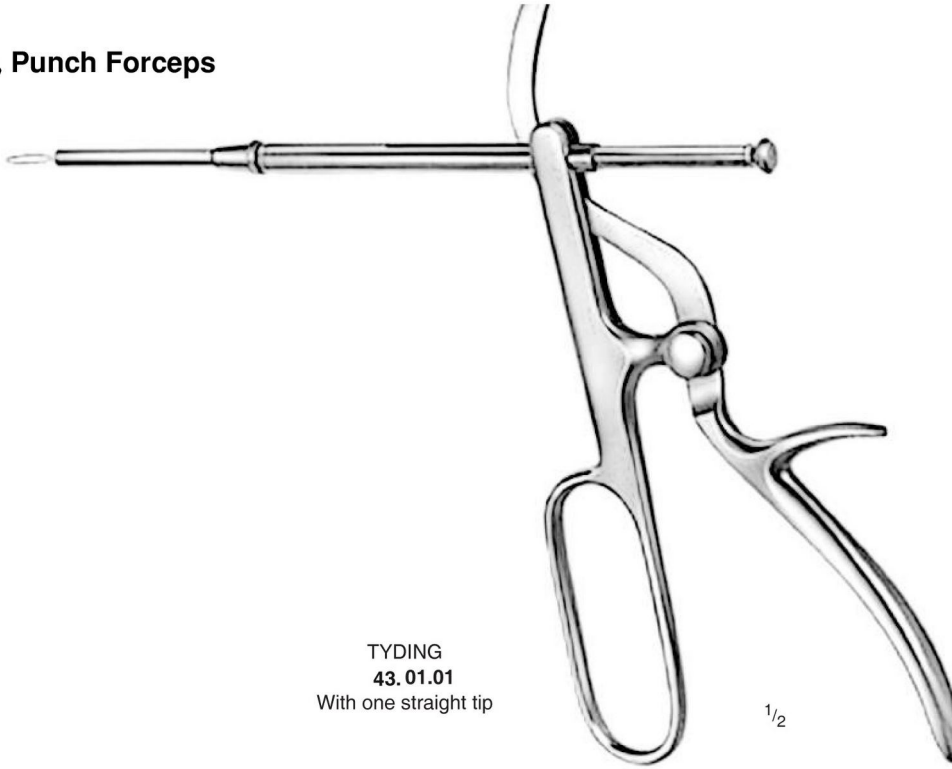
Mouth & Throat Instruments
Instrumentais para garganta e boca
Instruments pour Bouche & Gorge

Tel# 0092-52-4260785

Fax# 0092-52-4266804

Email. Info@benison.com.pk

Tonsil Snares, Punch Forceps



TYDING
43.01.01
With one straight tip

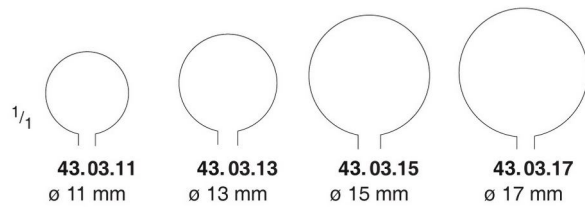
1/2



1/1

1/2

EVES
43.07.28
28 cm / 11"



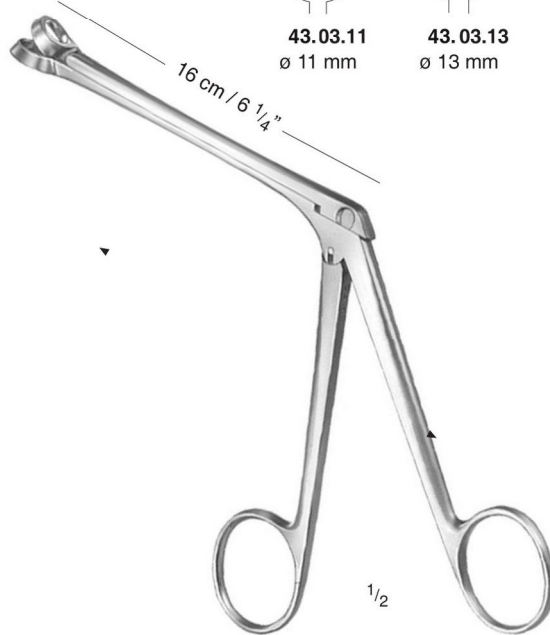
1/1

43.03.11
ø 11 mm

43.03.13
ø 13 mm

43.03.15
ø 15 mm

43.03.17
ø 17 mm

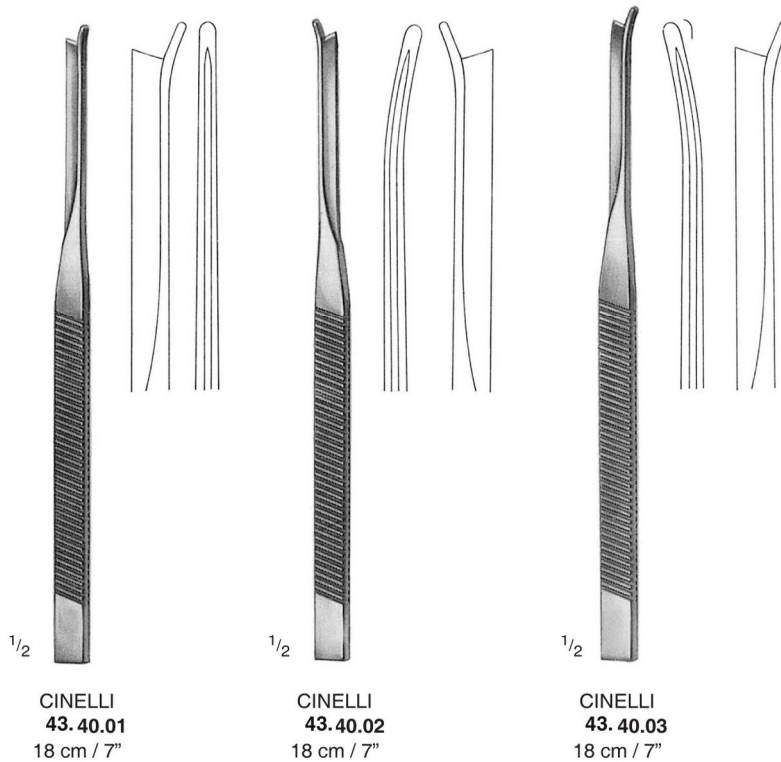
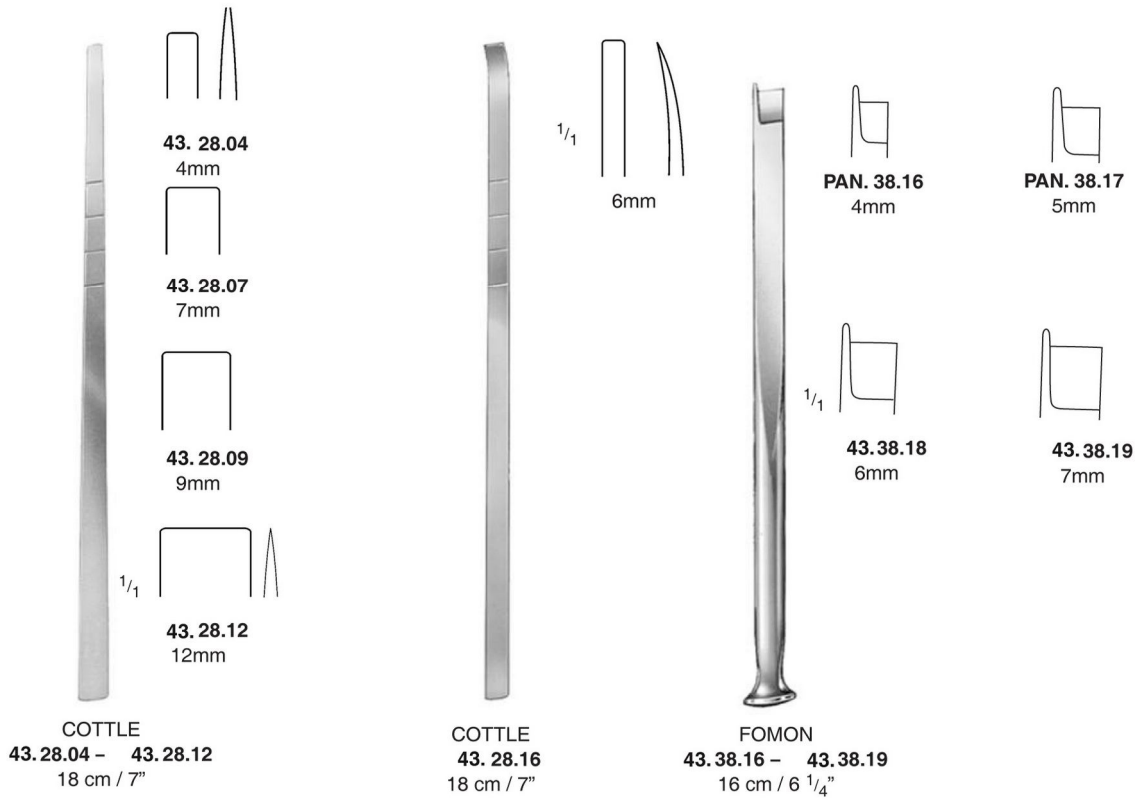


16 cm / 6 1/4"

1/2

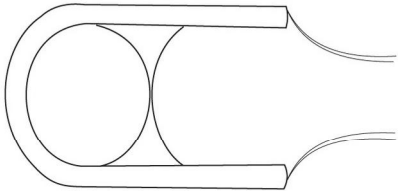
HARTMANN
43.03.11 - 43.03.17

Rhinoplastic Instruments



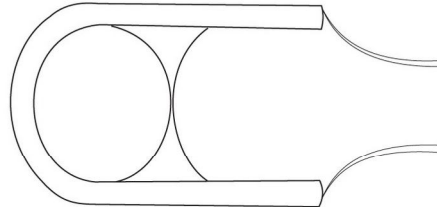
Tonsillectomy Forceps

Fig. 1



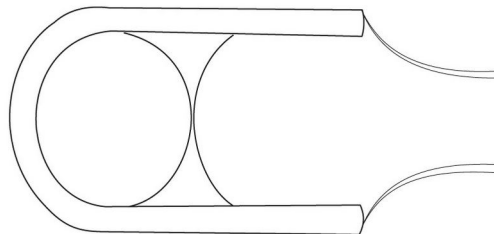
43.27.01 Fig # 1

Fig. 2

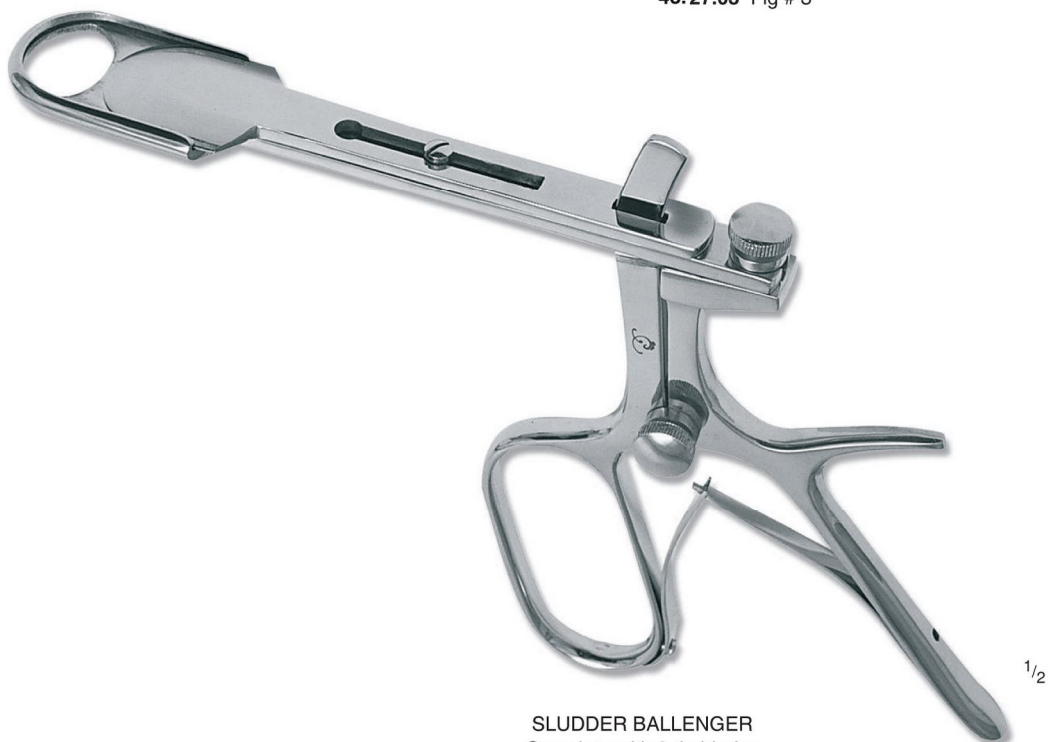


43.27.02 Fig # 2

Fig. 3



43.27.03 Fig # 3



SLUDDER BALLENGER
Complete with 3 tip blades
43.27.00

1/2

Laryngeal Mirros, Adenoid Currettes

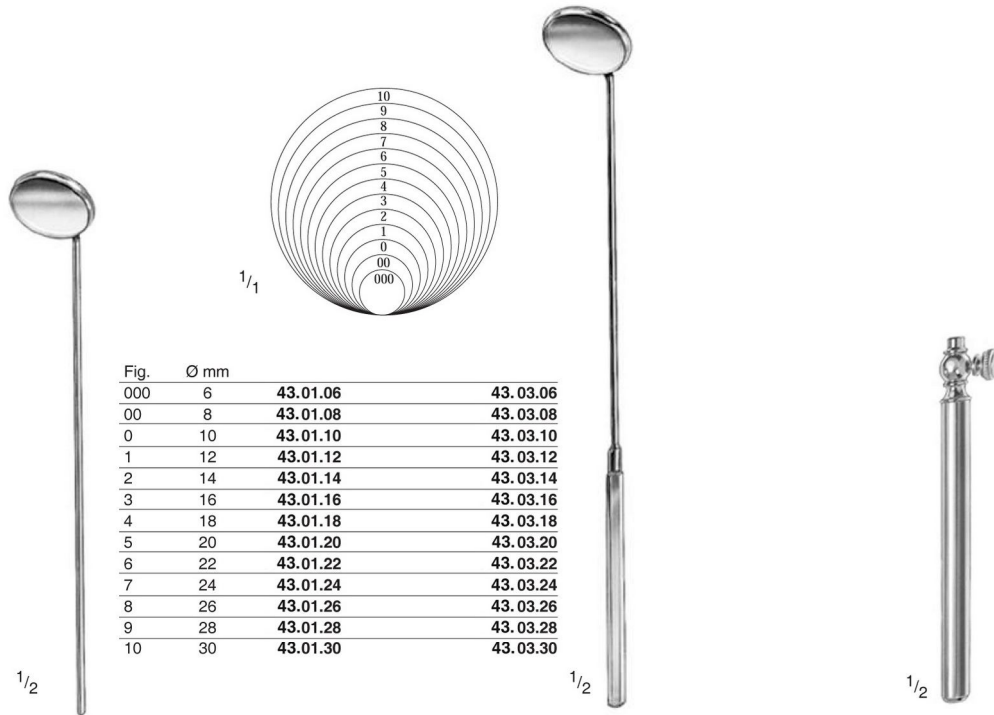
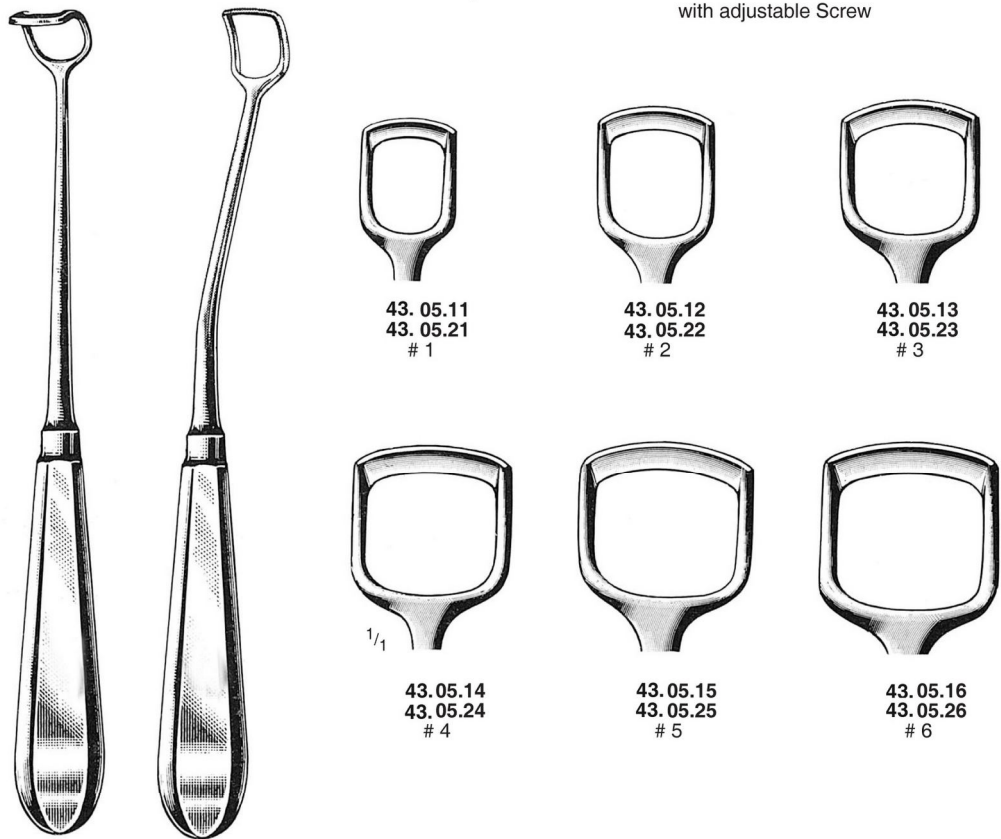


Fig.	Ø mm		
000	6	43.01.06	43.03.06
00	8	43.01.08	43.03.08
0	10	43.01.10	43.03.10
1	12	43.01.12	43.03.12
2	14	43.01.14	43.03.14
3	16	43.01.16	43.03.16
4	18	43.01.18	43.03.18
5	20	43.01.20	43.03.20
6	22	43.01.22	43.03.22
7	24	43.01.24	43.03.24
8	26	43.01.26	43.03.26
9	28	43.01.28	43.03.28
10	30	43.01.30	43.03.30

Laryngeal Mirror without Handle
 43.01.06 - 43.01.30
 12 cm / 4 3/4"

Laryngeal Mirror with Handle
 43.03.06 - 43.03.30
 22 cm / 8 3/4"

43.01.50
 Handle for Laryngeal Mirror
 with adjustable Screw



BECKMAN
 43.05.11 - 43.05.16
 22 cm / 8 3/4"

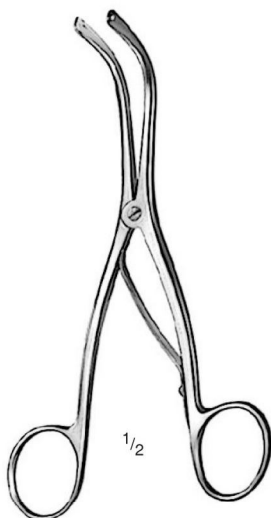
BECKMAN
 43.05.21 - 43.05.26
 22 cm / 8 3/4"

Tracheal Tubes, Dilators, Retractors

CHEVALIER-JACKSON
 43.33.50 - 43.33.69

LUER
 43.33.80 - 43.33.99

Fig	mm ø	German Silver	Silver Plated	German Silver	Silver Plated
0	4	43.33.50	43.33.60	43.33.80	43.33.90
1	5	43.33.51	43.33.61	43.33.81	43.33.91
2	6	43.33.52	43.33.62	43.33.82	43.33.92
3	7	43.33.53	43.33.63	43.33.83	43.33.93
4	8	43.33.54	43.33.64	43.33.84	43.33.94
5	9	43.33.55	43.33.65	43.33.85	43.33.95
6	10	43.33.56	43.33.66	43.33.86	43.33.96
7	11	43.33.57	43.33.67	43.33.87	43.33.97
8	12	43.33.58	43.33.68	43.33.88	43.33.98
9	13	43.33.59	43.33.69	43.33.89	43.33.99

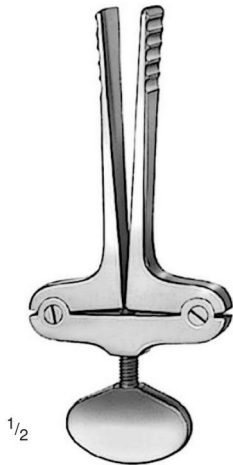

TROUSSEAU
 43.36.14
 14 cm / 5 1/2"

LABORDE
 43.37.14
 14 cm / 5 1/2"

LUKENS
 43.39.17
 17 cm / 6 3/4"

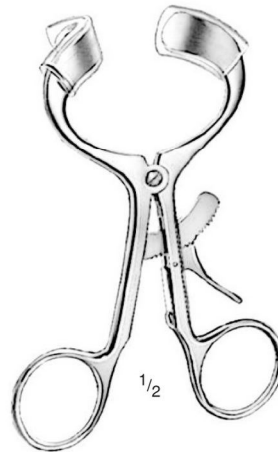
JACKSON
 43.40.17
 17 cm / 6 3/4"

Mouth Gags



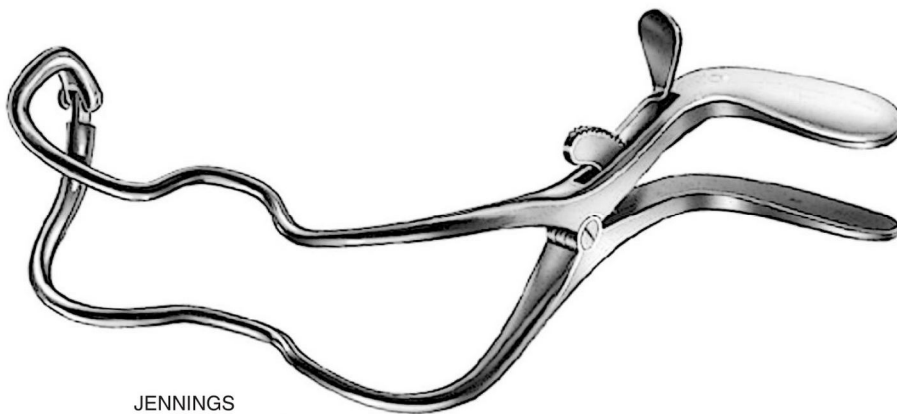
1/2

HEISTER
43.05.05
13 cm / 5"



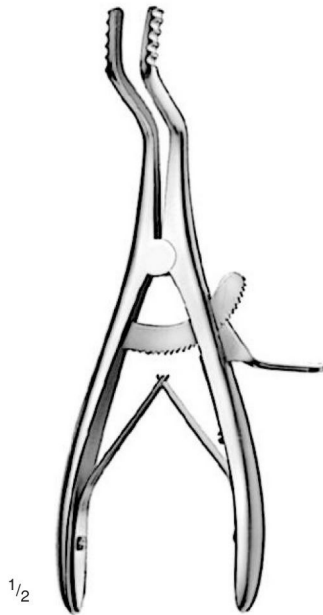
1/2

MOLT
43.06.10 – 10 cm / 4"
43.07.13 – 13 cm / 5"
43.07.15 – 15 cm / 6"



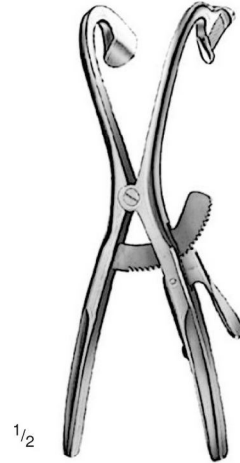
JENNINGS
43.09.09 – 9 cm / 3 1/2"
43.09.11 – 11 cm / 4 1/2"
43.09.13 – 13 cm / 5"
43.09.15 – 15 cm / 6"

Mouth Gags



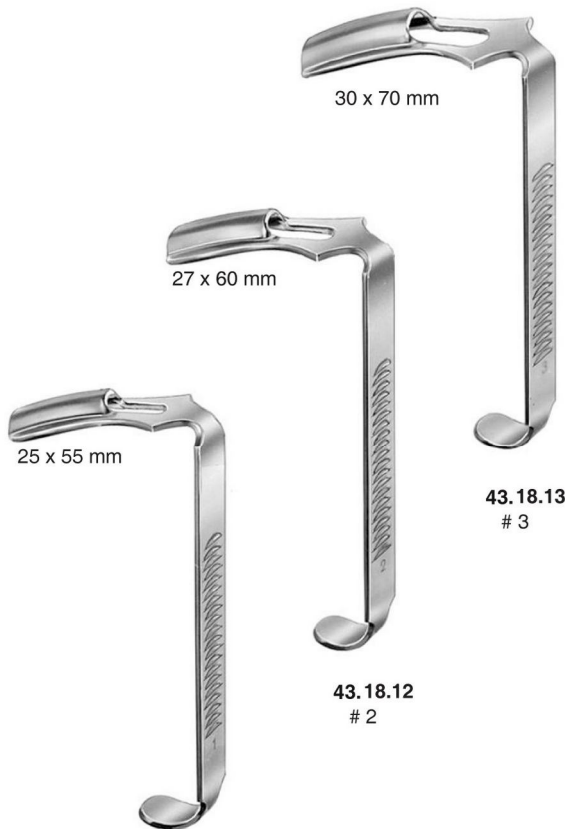
1/2

ROSER - KONIG
43.13.45 - 16 cm / 6 1/4"
43.13.50 - 20 cm / 8"



1/2

DENHART
43.14.60
13 cm / 5"



30 x 70 mm

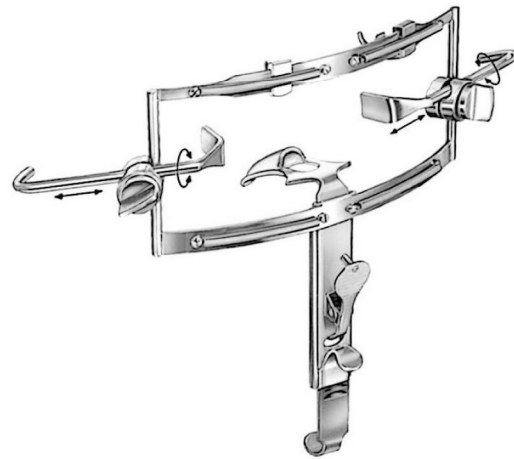
27 x 60 mm

25 x 55 mm

43.18.13
3

43.18.12
2

43.18.11
1



DINGMAN
43.18.00
(Complete)

Tongue Depressor



1/2

TOBOLD
43.01.14
14 cm / 5 1/2"



1/2

HARTMANN
43.02.15
15 cm / 6"

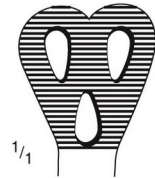


1/2

WIEDER
43.02.21 - 43.02.22



43.02.21
14 cm / 5 1/2"



1/1

43.02.22
15 cm / 6"



1/2

43.03.14 - 14 cm / 5 1/2"
Stainless Steel

43.03.16 - 16 cm / 6 1/4"
Wood



1/2

STERNBERG
43.03.15
14.5 cm / 5 3/4"



1/2

BRUENING
43.05.18
19 cm / 7 1/2"

14 mm

18 mm