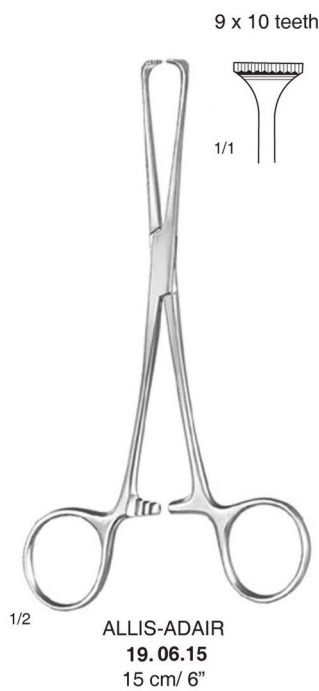
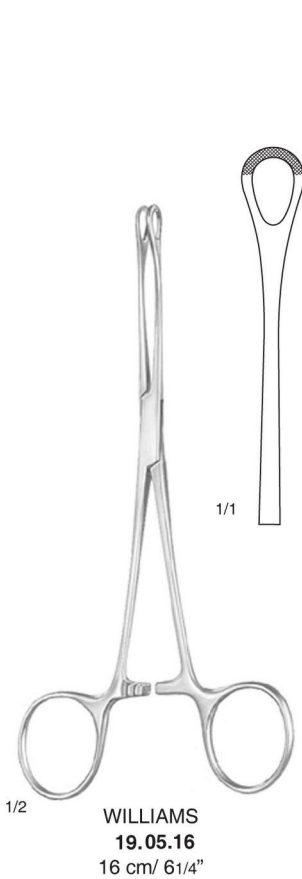


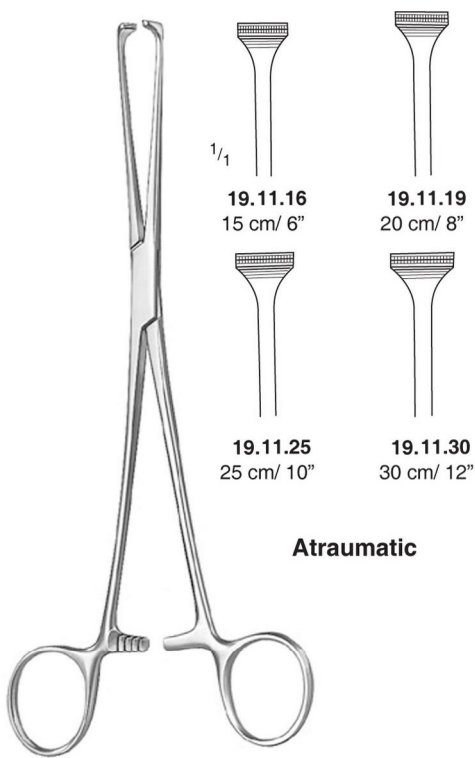
**Instestinal, Rectal  
Estomago & Reto  
Instestin et Estomac**

Tel# 0092-52-4260785  
Fax# 0092-52-4266804  
Email. [Info@benison.com.pk](mailto:Info@benison.com.pk)

**Tissue Holding Forceps**

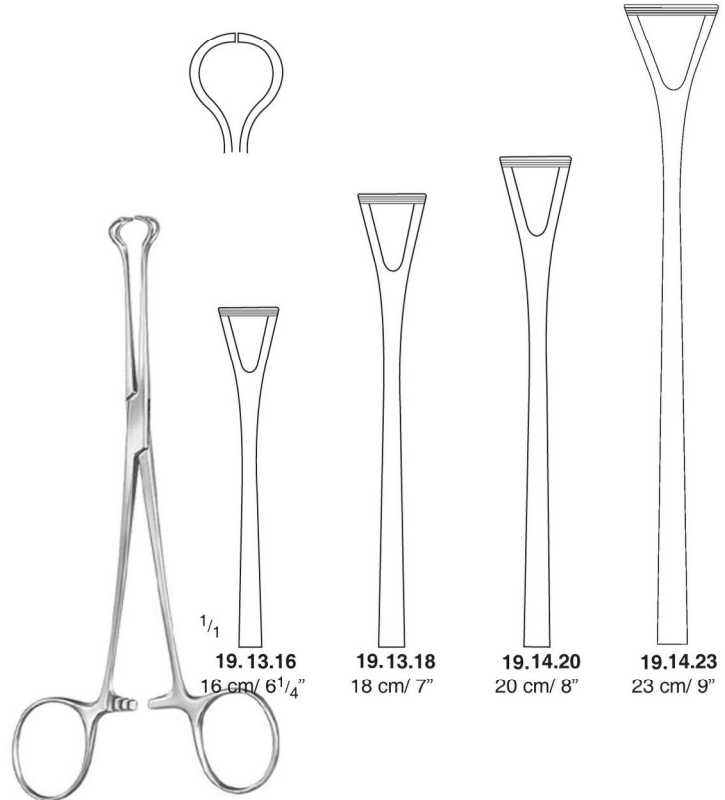


Tissue Holding Forceps

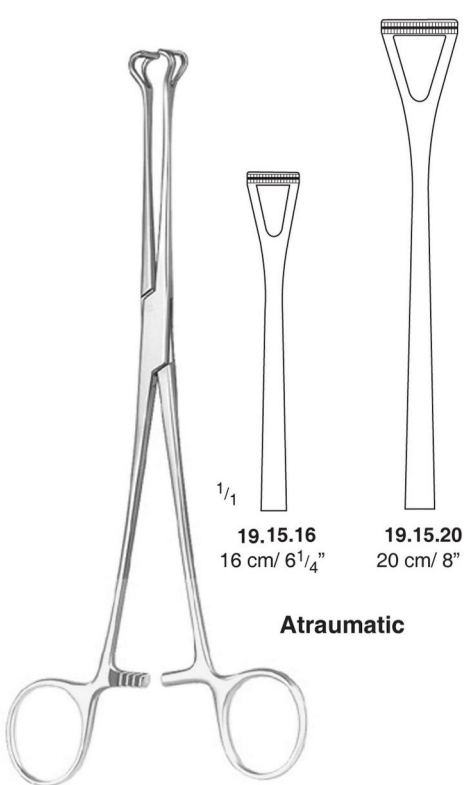


**Atraumatic**

ALLIS ATRAUMA  
19.11.16 – 19.11.30

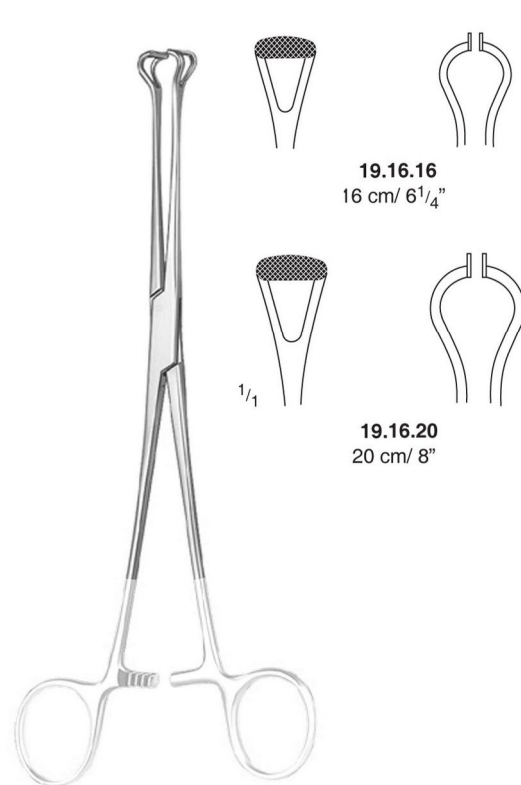


BABCOCK  
19.13.16 – 19.14.23

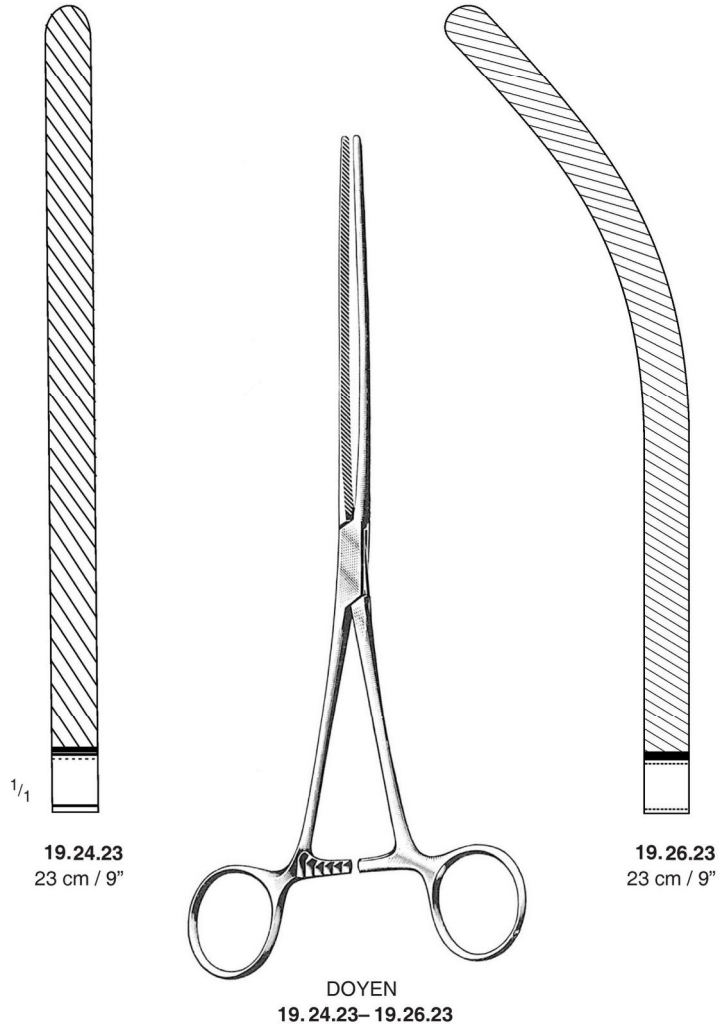
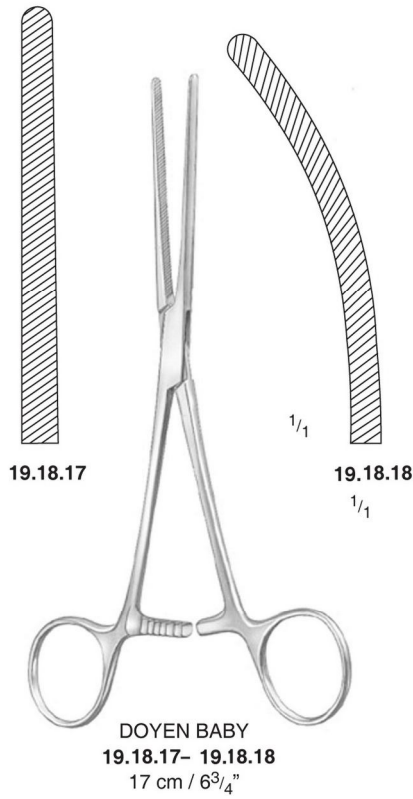
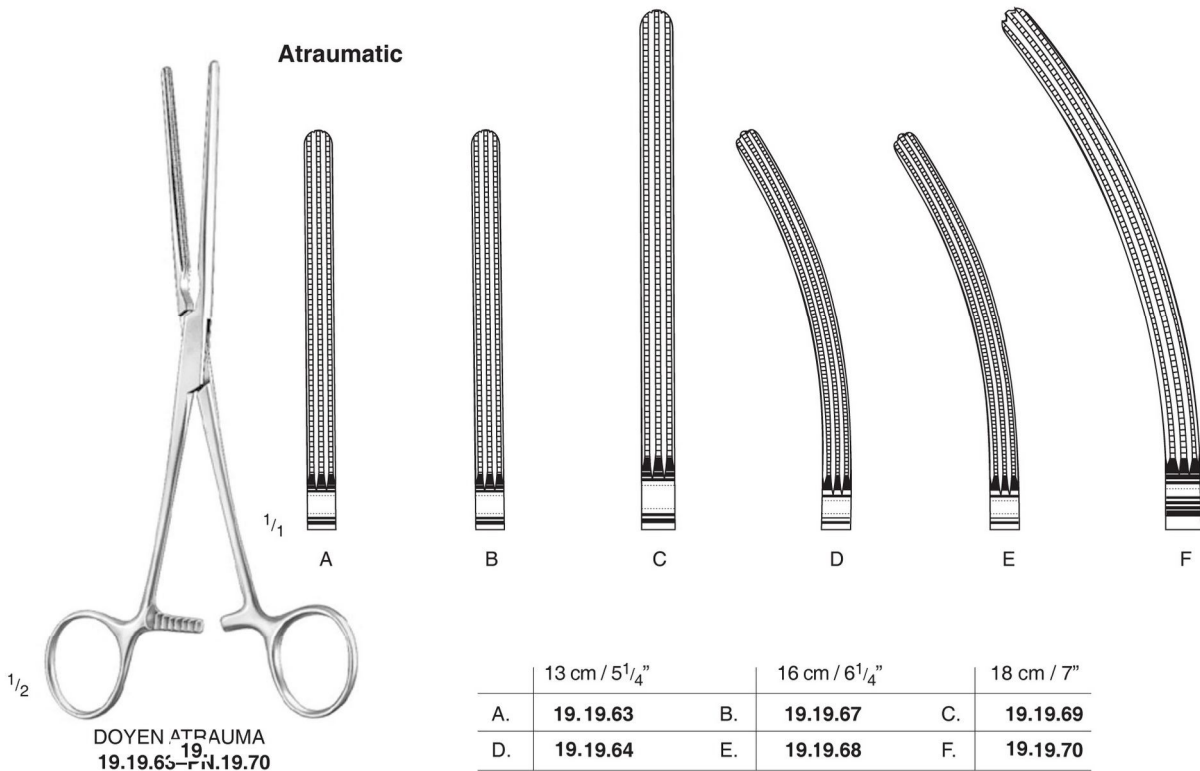


**Atraumatic**

BABCOCK 'ATRAUMA'  
19.15.16 - 19.15.20



BABCOCK, T/C  
19.16-16 – 19.16.20

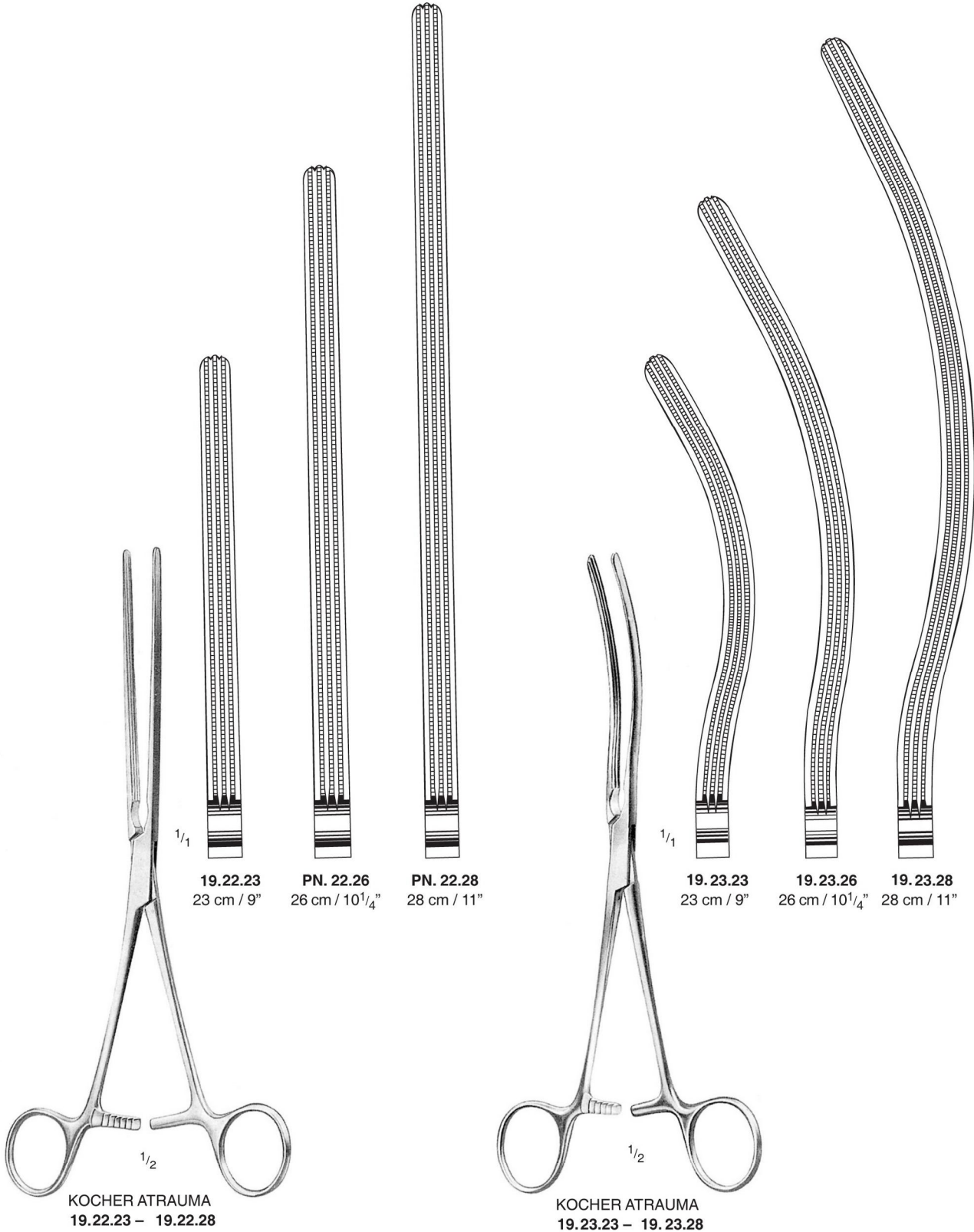
**Intestinal Clamp Forceps**

**Atraumatic**


Intestinal Clamps Forceps

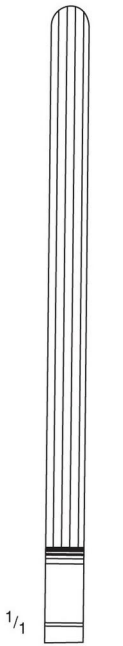




**Atruamatic Clamp Forcpes**

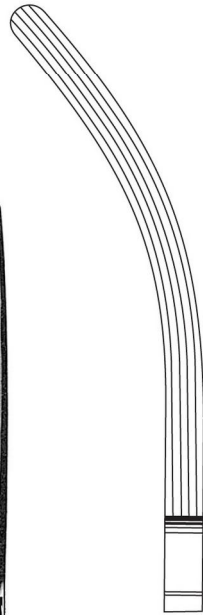


Intestinal Clamps Forceps



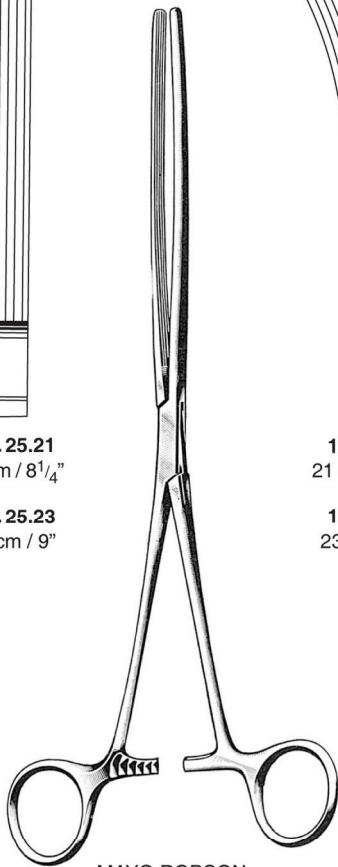
**19.25.21**  
21 cm / 8 1/4"

**19.25.23**  
23 cm / 9"



**19.25.22**  
21 cm / 8 1/4"

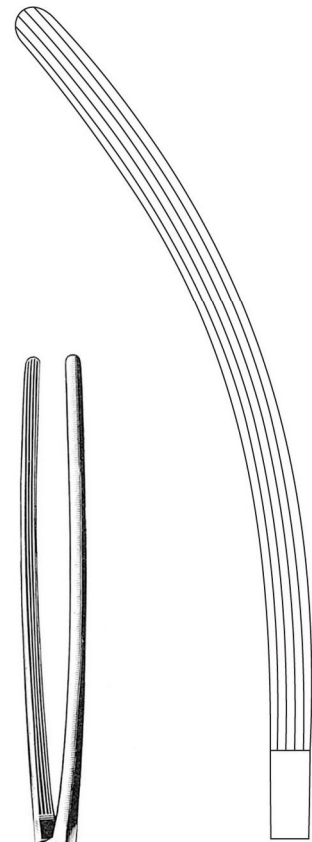
**19.25.24**  
23 cm / 9"



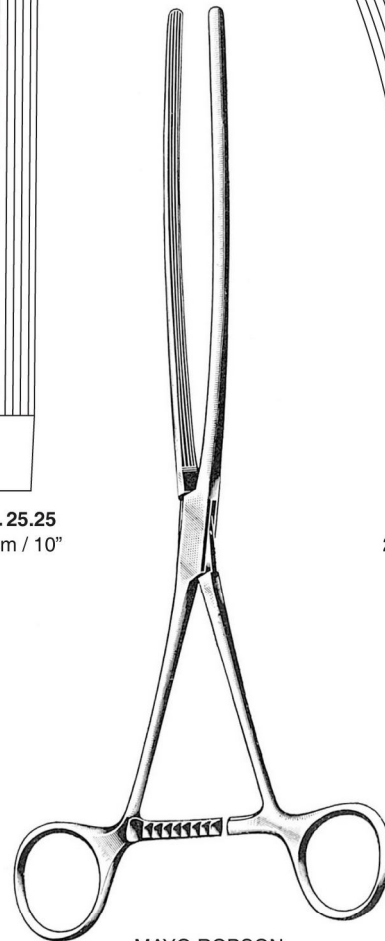
MAYO ROBSON  
19.25.21- 19.25.24



**19.25.25**  
25 cm / 10"

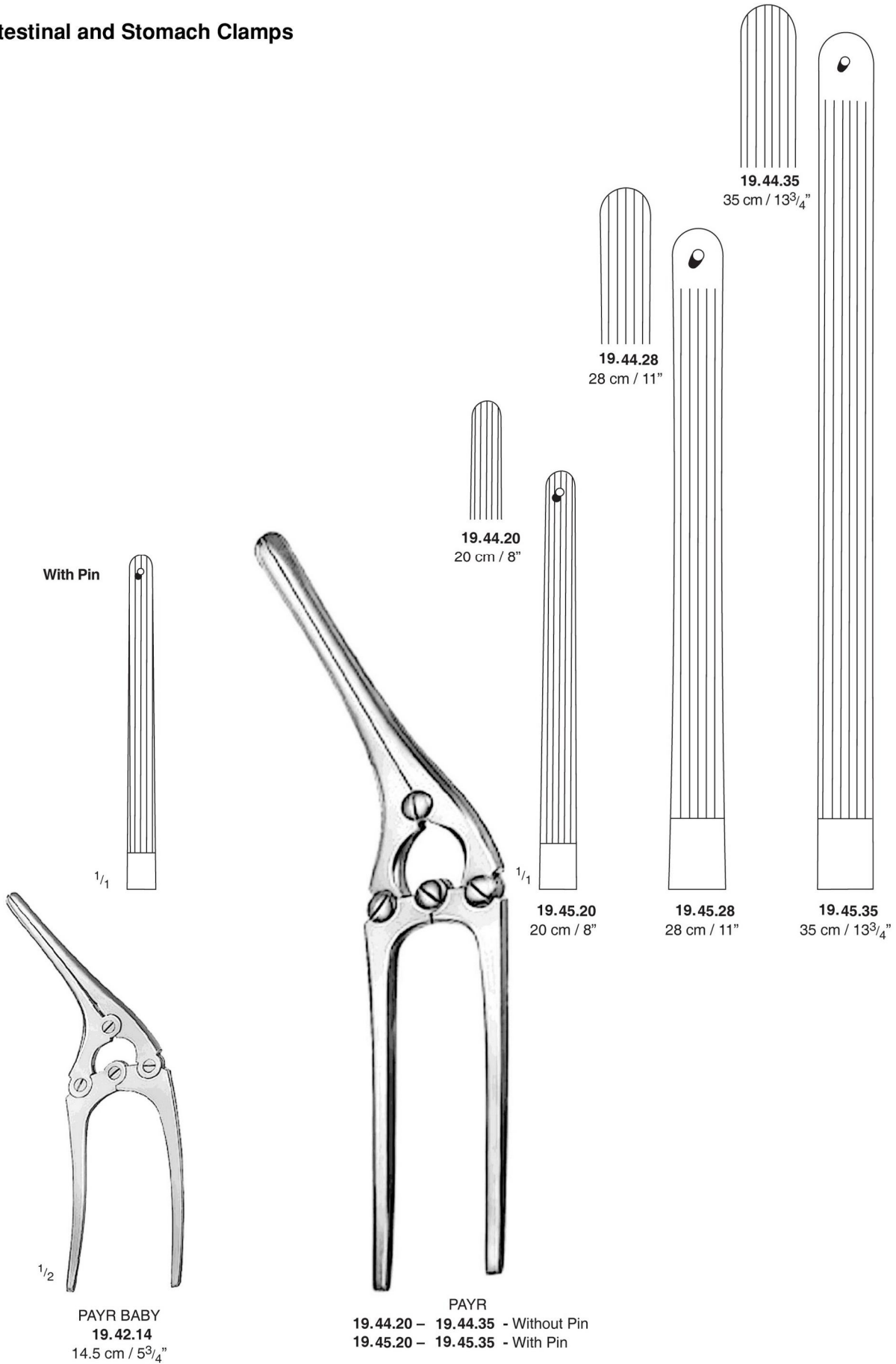


**19.25.26**  
25 cm / 10"



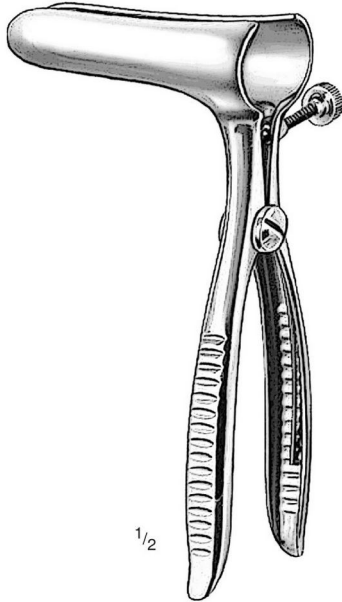
MAYO ROBSON  
19.25.25 - 19.25.26

Intestinal and Stomach Clamps





Rectal Specula



SIMS  
19.52.16  
16 cm / 6 1/4"



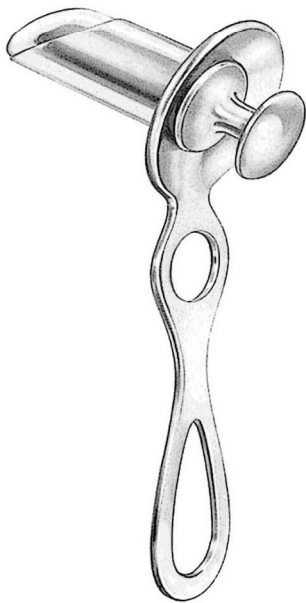
SIMS  
19.53.16  
16 cm / 6 1/4"

3 Blades



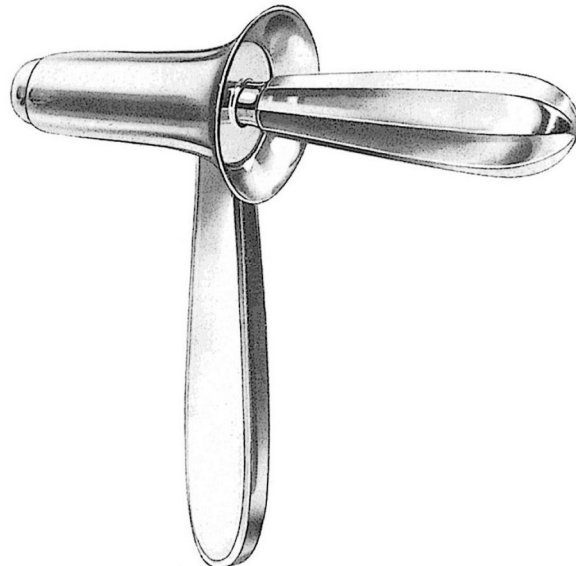
MATHIEU  
19.58.21  
21 cm / 8 1/4"

Proctoscopes, Anoscopes, Sphincteroscopes



HIRSCHMANN

- 19.64.16 – ø 16 mm x 60 mm
- 19.64.19 – ø 19 mm x 70 mm
- 19.64.22 – ø 22 mm x 90 mm



KELLY

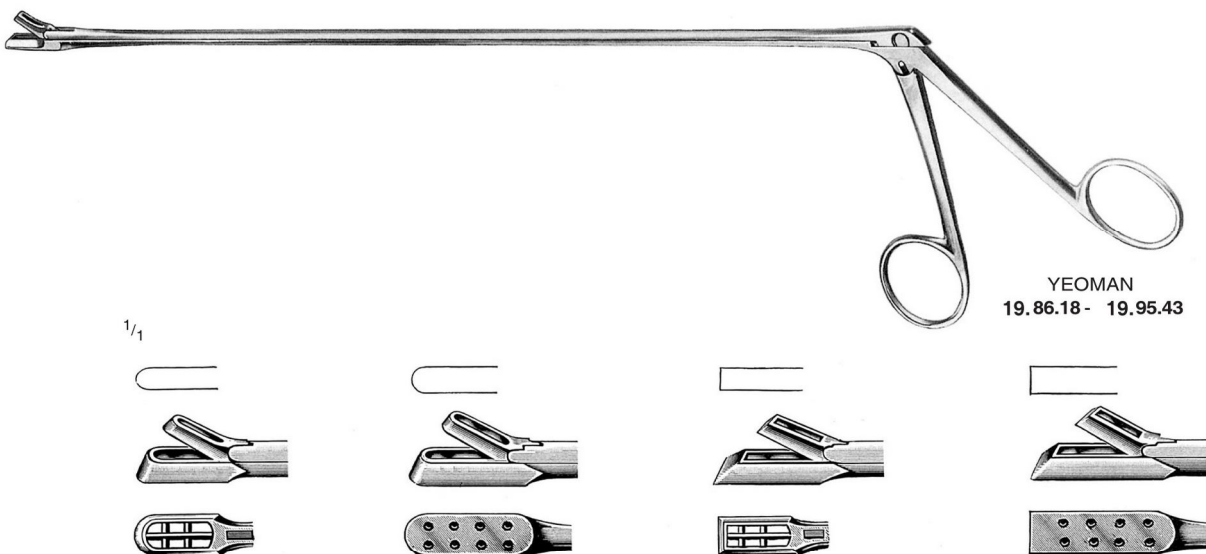
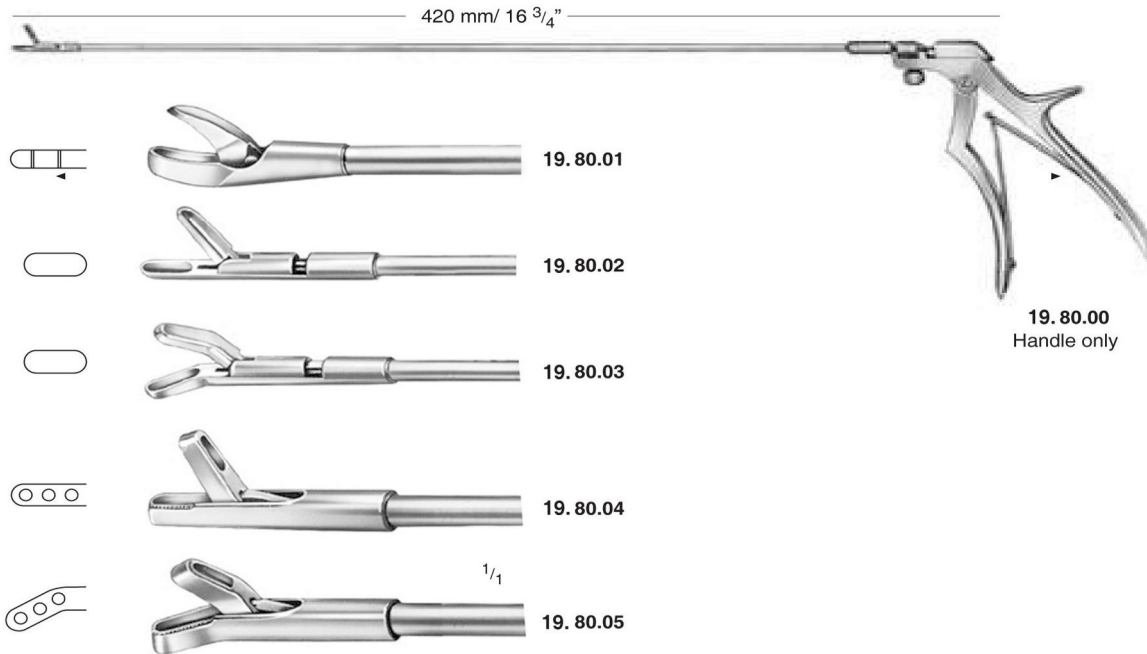
- 19.61.21 – ø 21 mm x 50 mm
- 19.61.25 – ø 25 mm x 50 mm
- 19.62.23 – ø 23 mm x 145 mm
- 19.62.24 – ø 23 mm x 205 mm



NEWMAN

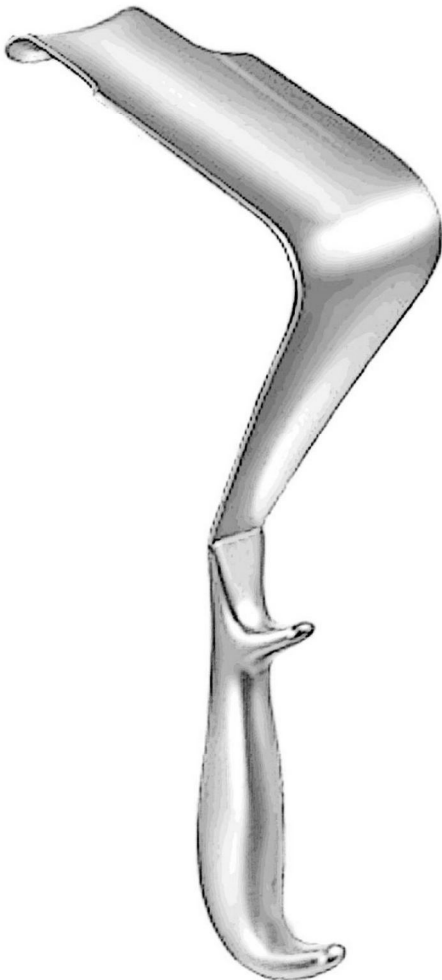
- 19.63.01 – ø 16 mm x 63 mm
- 19.63.02 – ø 19 mm x 63 mm
- 19.63.03 – ø 23 mm x 63 mm

Biopsy Specimen Forceps

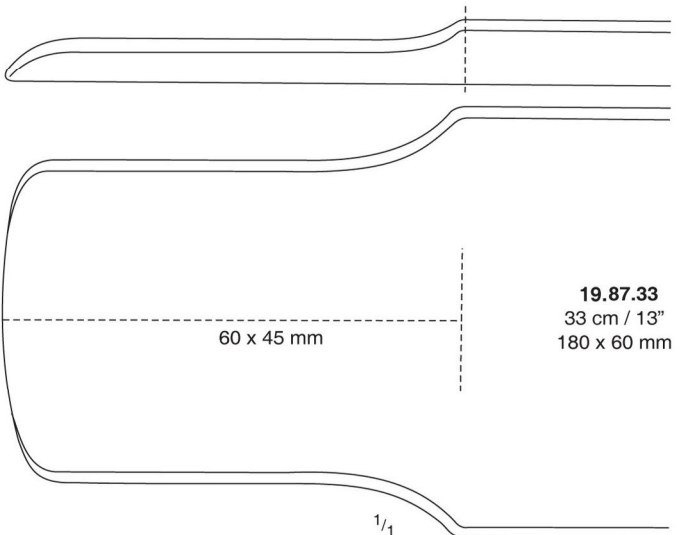
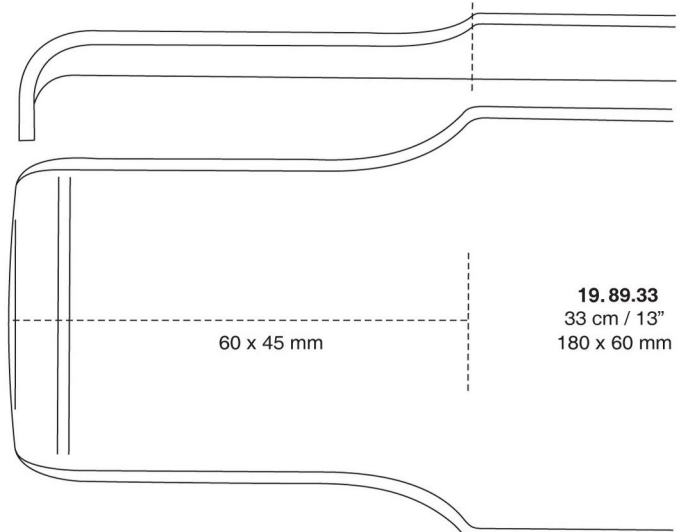
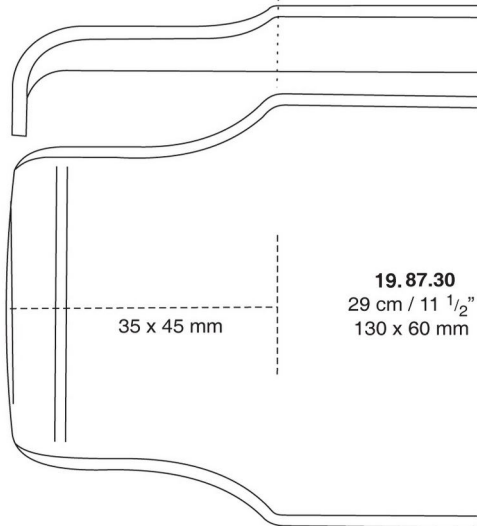
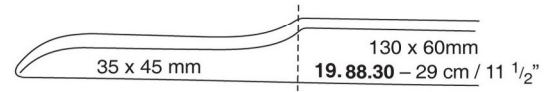


Shaft length	19.86.18	19.86.28	19.95.18	19.95.28
28 cm / 11"	19.86.18	19.86.28	19.95.18	19.95.28
35 cm / 13 <sup>3</sup> / <sub>4</sub> "	19.86.25	19.86.35	19.95.25	19.95.35
43 cm / 17"	19.86.33	19.86.43	19.95.33	19.95.43

Pelvis Retractor



ST. MARKS  
(LLOYD DAVIS)  
19.87.30 - 19.89.33



1/1