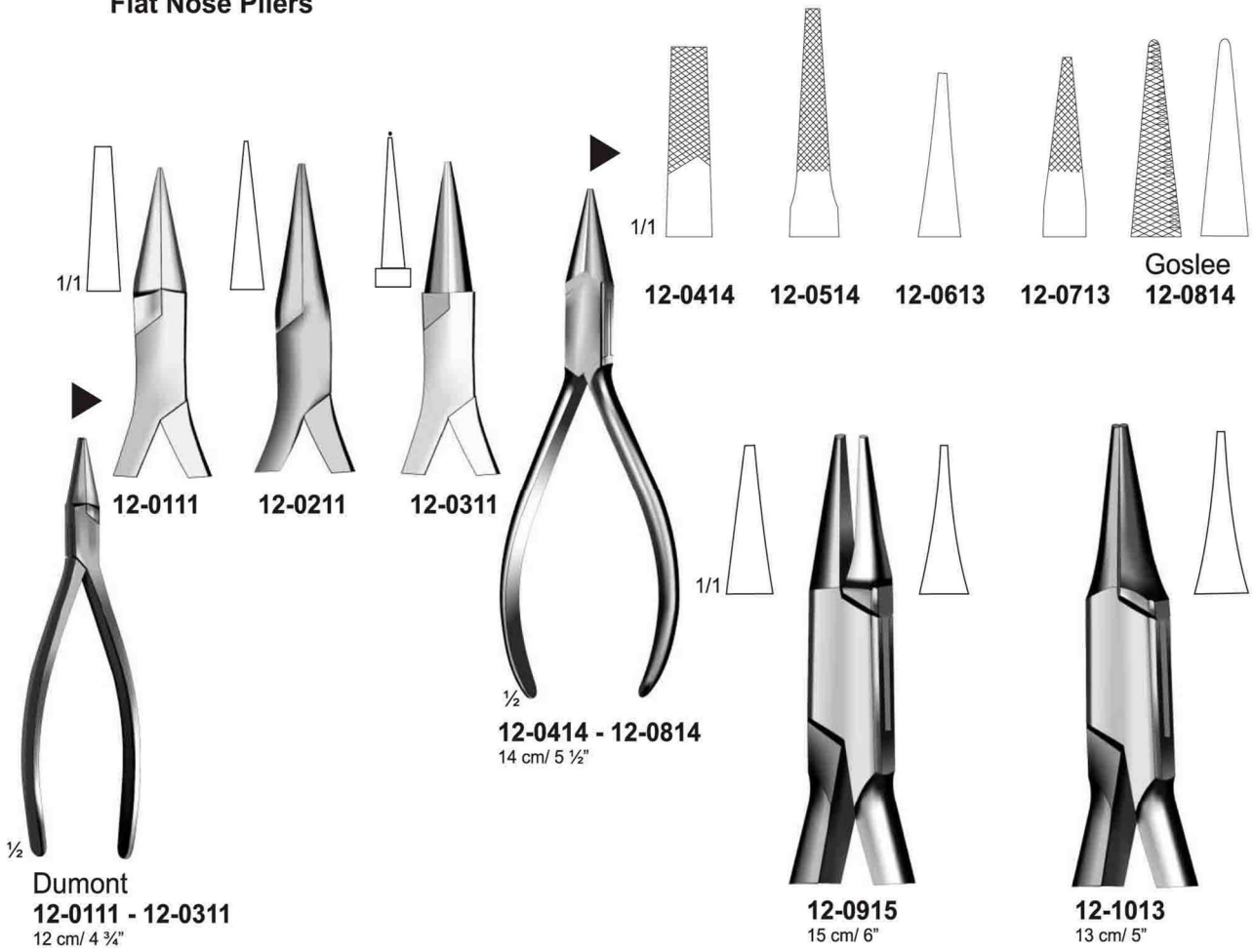




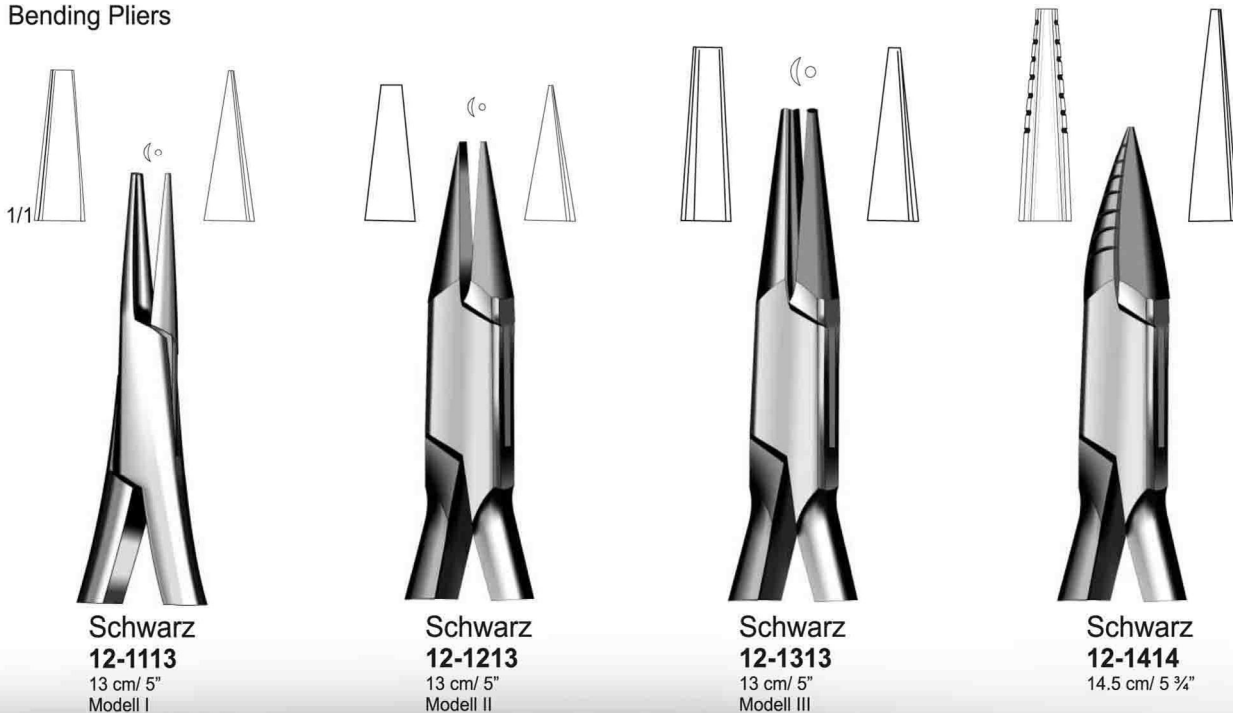
Pliers For Orthodontics
Zangen für Kieferorthopädie
Pinzas para orthodoncia
Pinces pour orthodontie
Pinze ortodontiche

Tel# 0092-52-4260785
Fax# 0092-52-4266804
Email. Info@benison.com.pk

Flat Nose Pliers



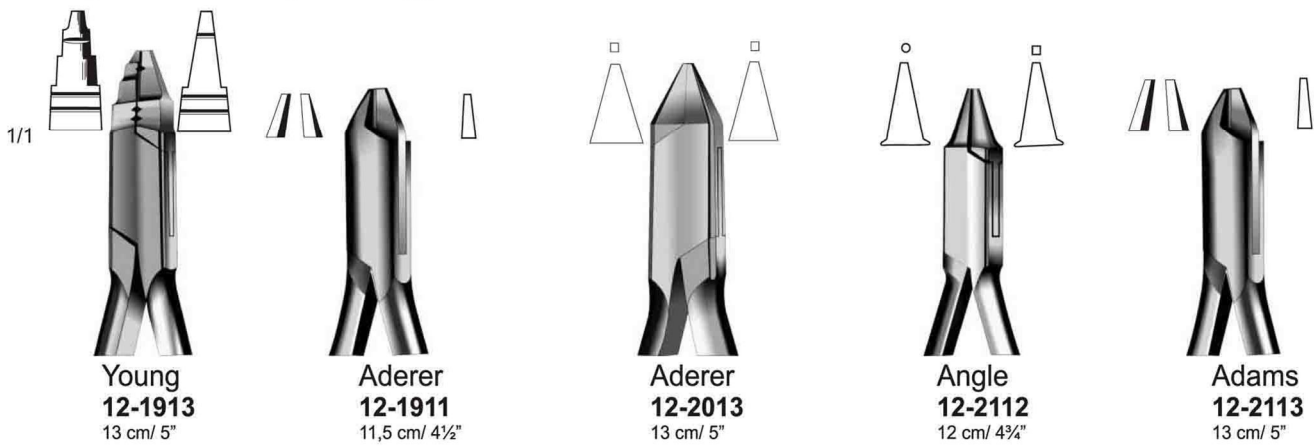
Bending Pliers



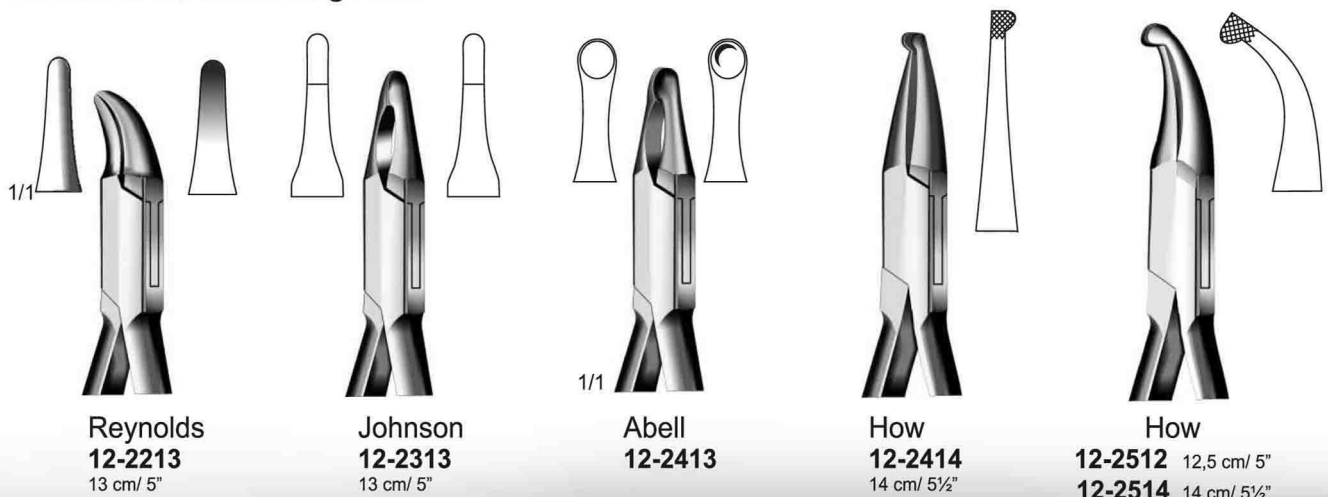
End and Side Nippers



Wire, Arch and clasp bending pliers



Crown Pliers, Contouring Pliers



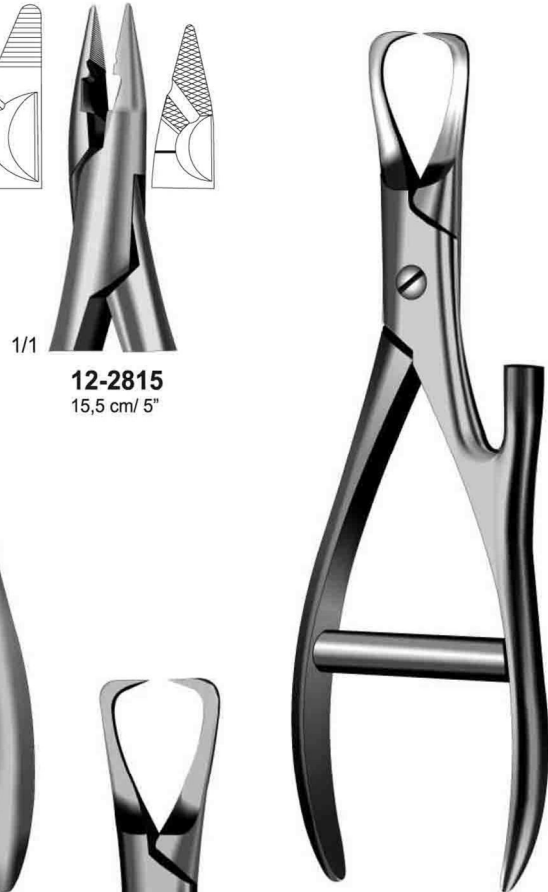
Universal Pliers, Copper Ring and
Bridge Removing Pliers



Waldsachs-Universal
12-2615
15,5 cm/ 5"



Universal
12-2715
15,5 cm/ 5"



Lodo
12-3015
15 cm/ 5"

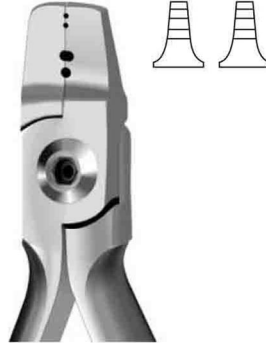


Furrer
12-2915
15,5 cm/ 5"

Band Seating & Arch Bending Pliers



12-3013
13 cm/ 5¼"



Lingual Arch Plier
12-3112
11.5 cm/ 4¼"
Designed to form double and triple bends in either .030" (0.76 mm) or .036" (0.91 mm) wire for inserting lingual sheaths



12-3212
12 cm/ 4¾"

Remover



12-3213
13 cm/ 5"

Remover



De La Rosa
12-3312
11.5 cm/ 4½"
Arch Forming & Contouring Plier
With three grooves, for wires .016" (0.41 mm), 0.81" (0.46 mm) and .022" (0.56 mm).



De La Rosa
12-3412
11.5 cm/ 4½"
Arch Forming Plier, without grooves
Same Plier but without grooves



D.B. Bracket Removing Plier
12-3512 T/C
12 cm/ 4¾"

Useful for ceramic and stainless steel brackets. The tips wedge between edge of bracket and tooth surface and remove it with ease.

Remover



12-3612 T/C
12 cm/ 4¾"

Remover

Bond Bracket

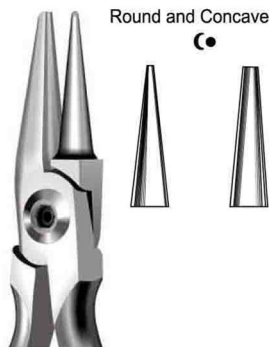
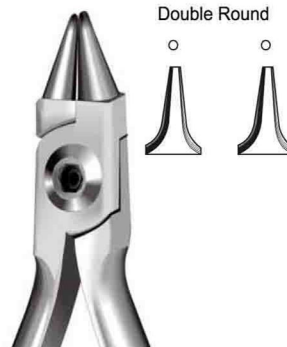
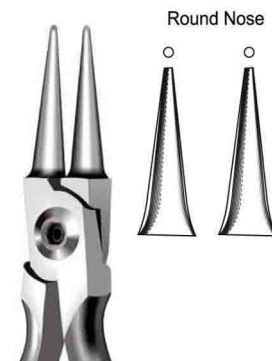
12-3712 T/C
 12 cm / 4¾"

12-3812 T/C
 12 cm / 4¾"

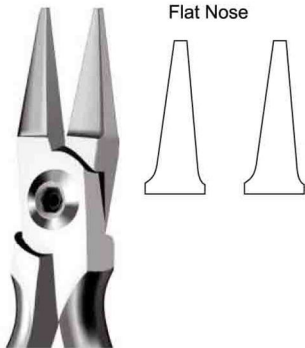
12-3912 T/C
 12 cm / 4¾"

D.B. Bracket Removing Plier, with Pad
12-4012 T/C
 12 cm / 4¾"
 Designed for quick and comfortable removal of direct bond brackets. It will also remove adhesive from the tooth.

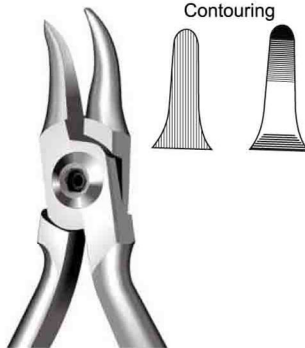
Posterior Band Removing Plier, Long
12-4112 T/C
 12 cm / 4¾"
 Will remove band with maximum patient comfort. The tip is postured in the middle of the pad for band removal ease. A plastic padded tip and a sharp removing beak allow, with a slight pressure, easy band removal.

Wire Bending Pliers

12-4212
 12 cm / 4¾"
 Medium Wire Plier,
 Round & Concave Plier
 For wires up to .28" (0.71 mm)

12-4312
 11.5 cm / 4½"
 Double Rounded Jaw Plier
 For wires up to .030".

12-4412
 12 cm / 4¾"

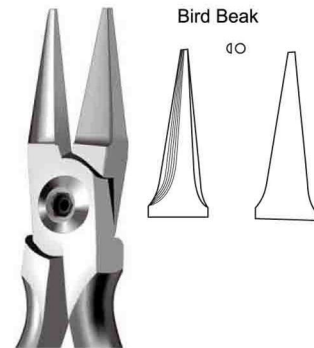
Wire Bending Pliers



Jarabak
12-4413
12.5 cm/ 5"
Excellent for precise bending of light wires. Precision grooves assure accurate bending and closing loops. Wires up to .020".



Reynolds
12-4512
12 cm/ 4¾"



Light Wire Plier
12-4513
12.5 cm/ 5"
The beaks are more tapered and longer than Angle Plier. Excellent for bending small diameter loops. Used for wires up to .016" (0.41 mm)

Wire Arch Bending & Forming Pliers



Tweed
12-4611 T/C
11.5 cm/ 4½"
Rectangular Arch Pliers, Tweed Style Forming plier for square or rectangular wires. The blades are designed to be parallel at .020" (0.51 mm) opening. The working edges are carefully diamond-honed to prevent wire scoring.



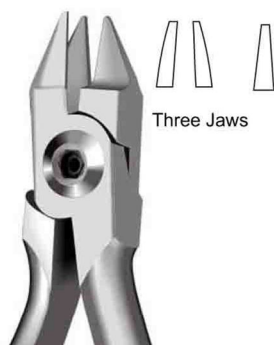
Tweed(Angle)
12-4612 T/C
12 cm/ 4¾"



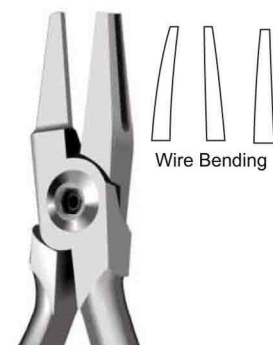
Tweed(Angle)
12-4711 T/C
11 cm/ 4½"



12-4811 T/C
11 cm/ 4½"



Aderer
12-4812
11.5 cm/ 4½"
Three Jaw Thin Plier, For wires up to .028" (0.71 mm).



Aderer
12-4912
12 cm/ 4¾"
Three Jaw Plier, Aderer The precision aligned tips ensure for consistent bends. Gradually tapered for delicate bending. For wires up to 0.036" (0.91 mm)

Wire Arch Bending & Forming Pliers



How
12-4913
13 cm/ 5¼"
Utility Plier, How Long well tapered shape, With 3/32" (2.4mm) gripping pads which are serrated and shaped, so that their centre line coincides with the axis of rotation of the plier and holds the wire securely. Beaks are rounded to be completely lip safe.

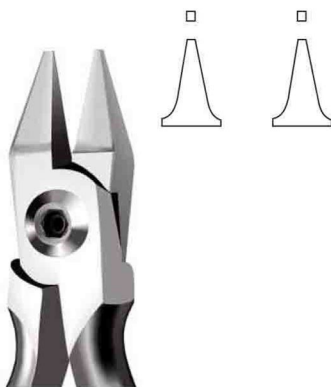


How
12-5013
12.5 cm/ 4¾"
Utility Plier, How Style With 1/8" (3.2 mm) gripping pads, which are serrated to hold wire securely. Beaks are completely lip safe.

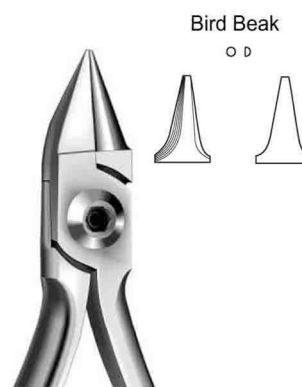


Weingart
12-5113 T/C
12.5 cm/ 4¾"
Utility Plier, Weingart Classic design, generally utility plier. Pointed serrated tips. Holds wire firmly at convenient angle. The beaks are rounded to make the plier completely mouth safe. Useful for removal of ceramics

Loop Forming /Bending Pliers



Adams
12-5212
12 cm/ 4¾"



Angle
12-5312
11.5 cm/ 4½"
Bird Beaks Pliers, Angle It is used for working round wires up to .030" (0.76 mm) in diameter. The beaks are .025" (0.64 mm) at the tip. The beaks are parallel at 0.20" (0.51 mm) opening.

Loop Forming /Bending Pliers



Mckellops Plier
12-5313
 12.5 cm/ 5¼"
 For wires up to .059" (1.5 mm).



Tweed Loop
 Forming



Tweed
12-5413

12.5 cm/ 5¼"
 Loop Forming, Tweed Style Pliers Designed for making loops in round or rectangular wires up to 0.022x.0.28" (0.56 x 0.71 mm). The cylindrical beak has three sections: 0.045" (1.14mm), .060" (1.52mm), .075" (1.90mm). Each section is 0.090" in length. The concave beak has slight parallel serrations which orient and keep the wire at a right angle to the beaks while the loop is being formed.



Omega Loop
 Forming



Tweed
12-5513

12.5 cm/ 5¼"
 Omega Loop Forming Pliers, Tweed Style
 It just differs from the Model 12-5413 in the concave beak which is rounded for making more uniform omega loops.

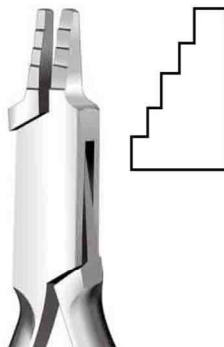


Single Diameter
 Loop Forming



Tweed
12-5613

12.5 cm/ 5¼"



12-6612

Loop Closing Plier, Nance Style
 Box joint with 4 sectioned tip for forming various size loops in rectangular and round wires.
 For wires up to .028" (0.71 mm).

Wire Cutting Pliers



12-5713 T/C
12.5 cm/ 5"
Hard Wire Cutter, Flat Back
Cutting capacity up to .020 round,
Arch wire up to .022 x .028 and all
sizes of ligature wire and pins.



12-5813 T/C
12.5 cm/ 5"



12-5913 T/C
13 cm/ 5½"



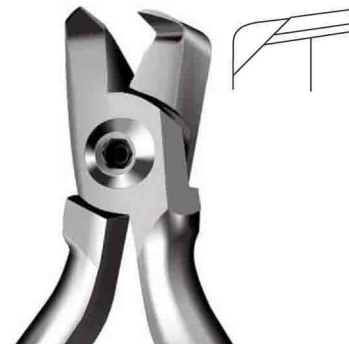
12-6012 T/C
12 cm/ 5"



12-6112 T/C
11.5 cm/ 4½"



12-6212 T/C
12 cm/ 5"
Mini cut & hold distal end cutter
cuts within 0.5mm from end of
buccal tube. Use on wire up to
0.22" x 0.28" rectangular and
0.20" round.



12-6312 T/C
11.5 cm/ 4½"
Distal End Cutter with safety hold
It shear cuts hard wire and braided
wire and then, safely holds the loose
distal ends of the wire, thus preventing
from falling down into the oral tissues.
The cutting edges are diamond honed.
Maximum cutting capacity: rectangular
and twist wires up to .022 x .028"
(0.56 x 0.71); round wire up to .020"
(0.51 mm) in diameter.