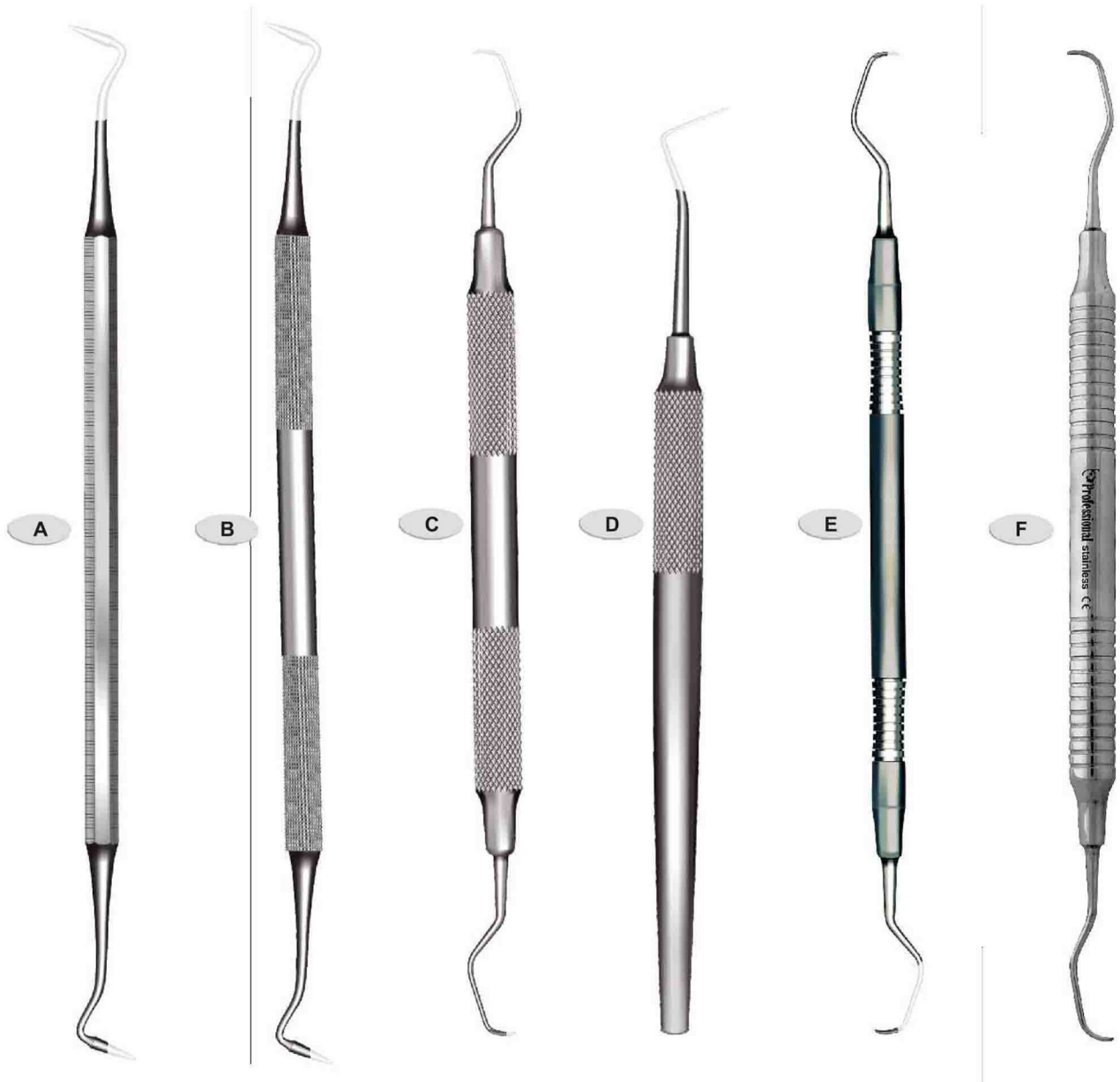




Amalgam Instruments
Amalgaminstruments
Instrumentos para amalgama
instruments a amalgame
strumenti per amalga

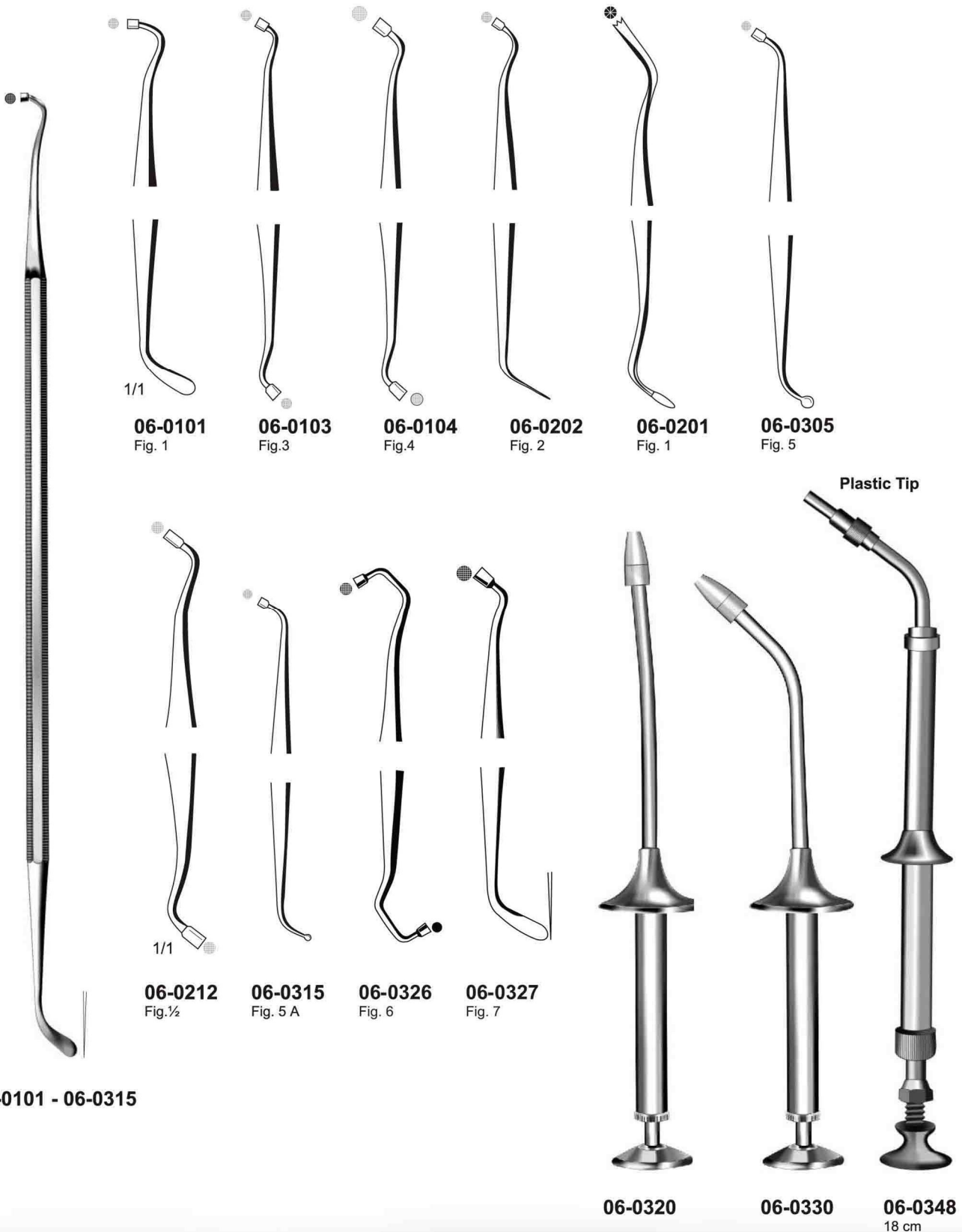


If you wish to order a different type (A, B, C, D, E and F) of handle for a particular products, please mention that type with the code number of that product.

Example : 06-1001C

If you wish to order a particular type (A, B, C, D, E and F) of handle with all instruments, please mention that type in your purchase order.

Example : Please use handle C for all Scalers.





Ivory
Single-End
06-0415-
06-0428

Ivory
Distal
06-0515-
06-0528

Ivory
Double-End
06-0615-
06-0632



1.5 mm

2.0 mm

2.8 mm

06-0415
Mini/ Single-End

06-0420
Regular/ Single-End

06-0428
Large/ Single-End



1.5 mm

2.0 mm

2.8 mm

1/1
06-0515
Mini/ Distal

06-0520
Regular/ Distal

06-0528
Large/ Distal



1.5 mm

2.8 mm

3.2 mm

1/1

2.0 mm
06-0615
Mini/ Double

2.0 mm
06-0628
Large/ Double

2.0 mm
06-0632
Jumbo/ Double



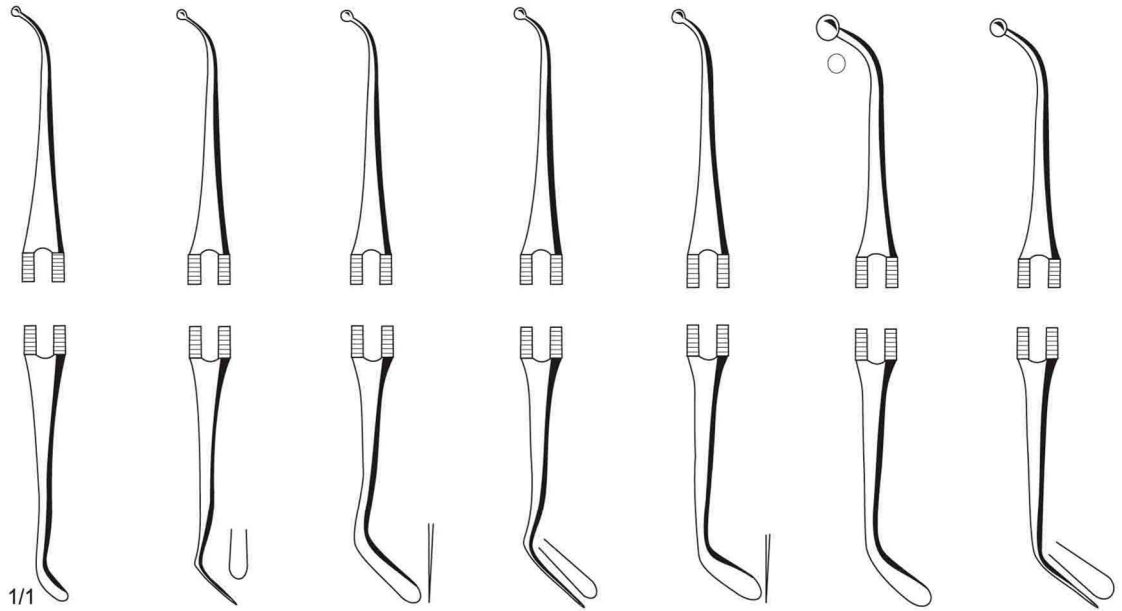
06-0730
Ø 30 mm



Amalgam well
06-0935
3,5 cm Ø
3,5 cm h.



06-0830
Ø 30 mm



1/1

Mod. PHF

06-1201
Fig.1

06-1202
Fig.2

06-1303
Fig.3

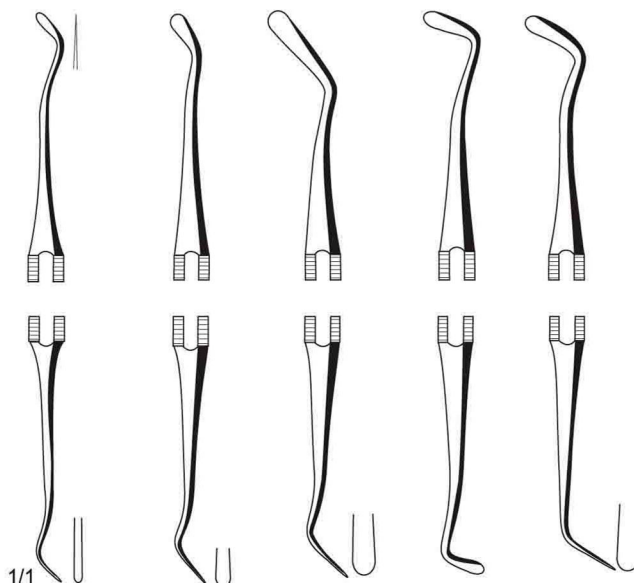
06-1403
Fig.3 A

06-1404
Fig.4

06-1504
Fig.4 A

06-1544
Fig.4 R

06-1201 -
06-1544
16cm/6 1/4"



1/1

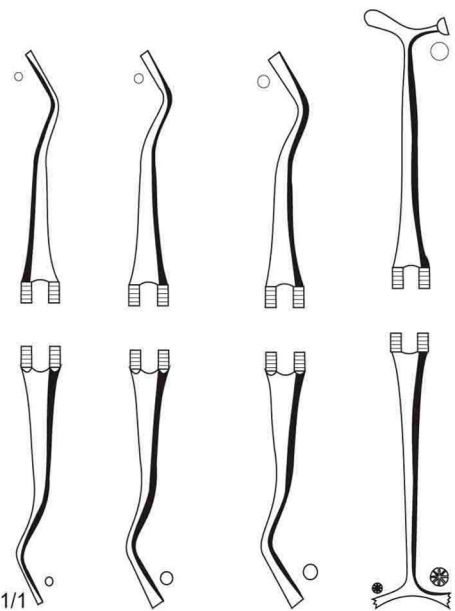
06-1600
Fig.0

06-1601
Fig.1

06-1602
Fig.2

06-1604
Fig.4

06-1606
Fig.6



1/1

Williams

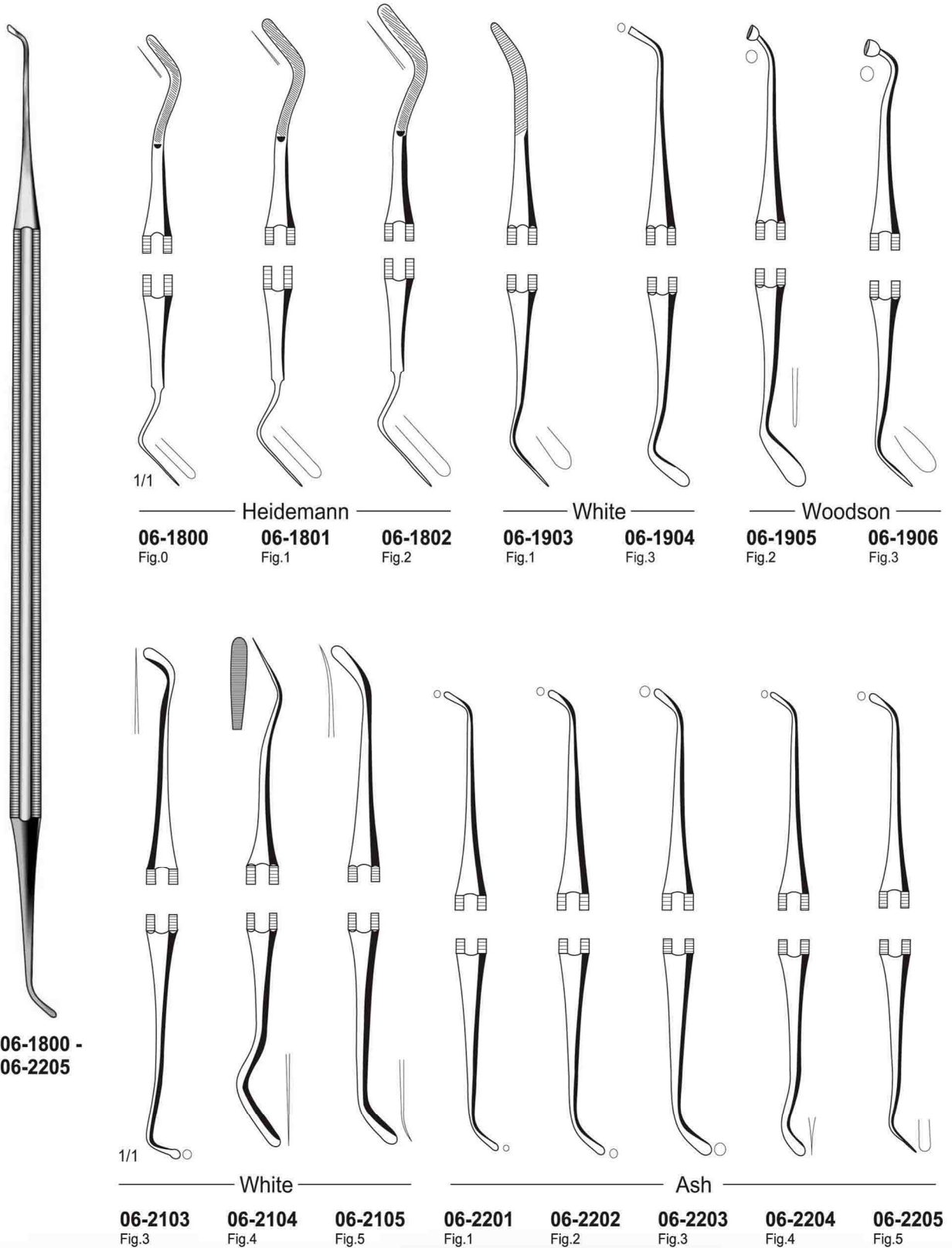
06-1700
Fig.0

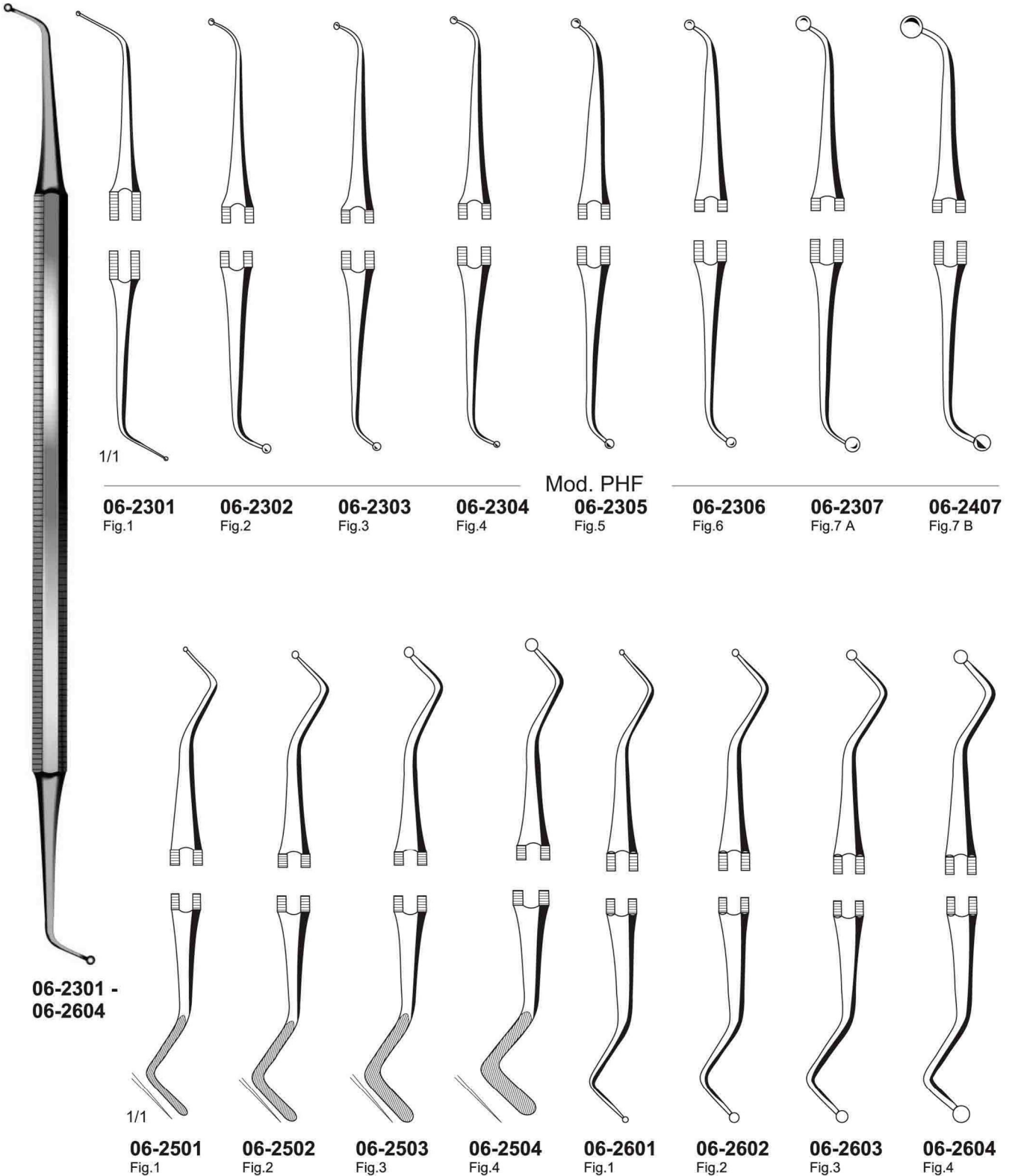
06-1701
Fig.1

06-1702
Fig.2

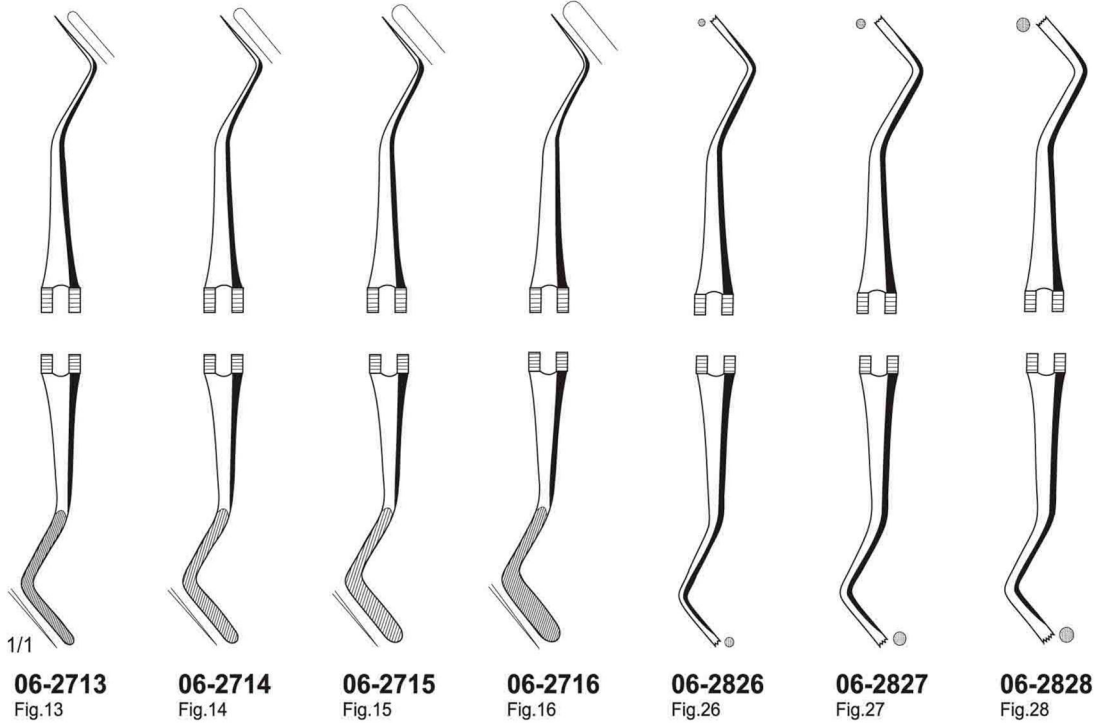
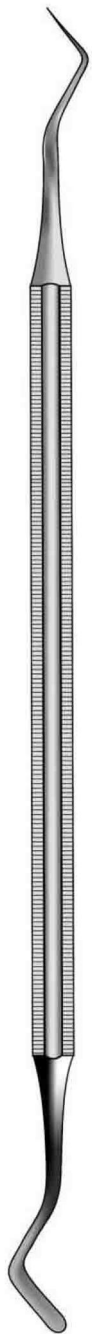
06-1703
Fig.3

Please see page 34 for different handle styles.





Please see page 34 for different handle styles.



1/1
06-2713
 Fig.13

06-2714
 Fig.14

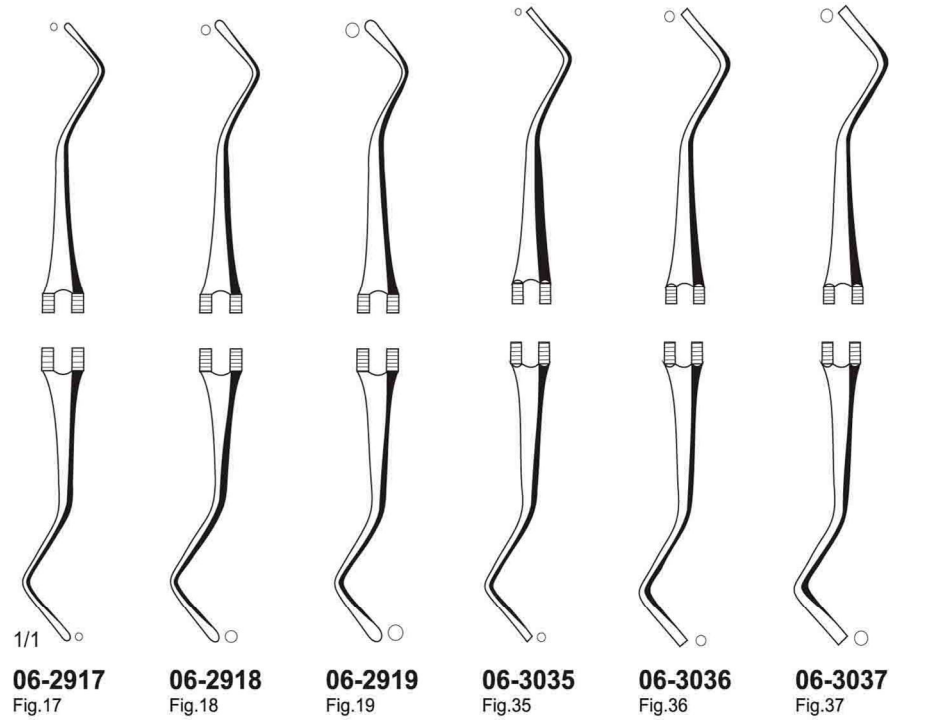
06-2715
 Fig.15

06-2716
 Fig.16

06-2826
 Fig.26

06-2827
 Fig.27

06-2828
 Fig.28



1/1
06-2917
 Fig.17

06-2918
 Fig.18

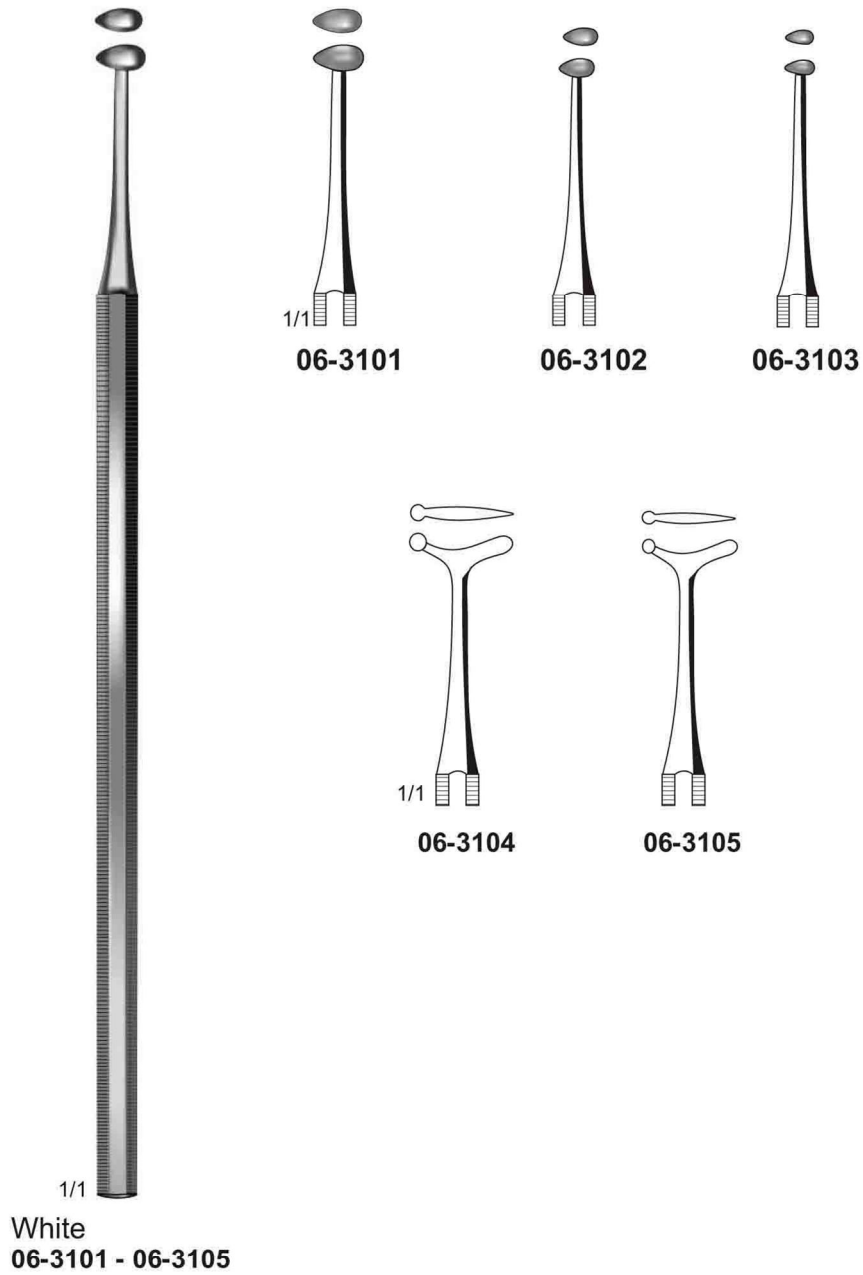
06-2919
 Fig.19

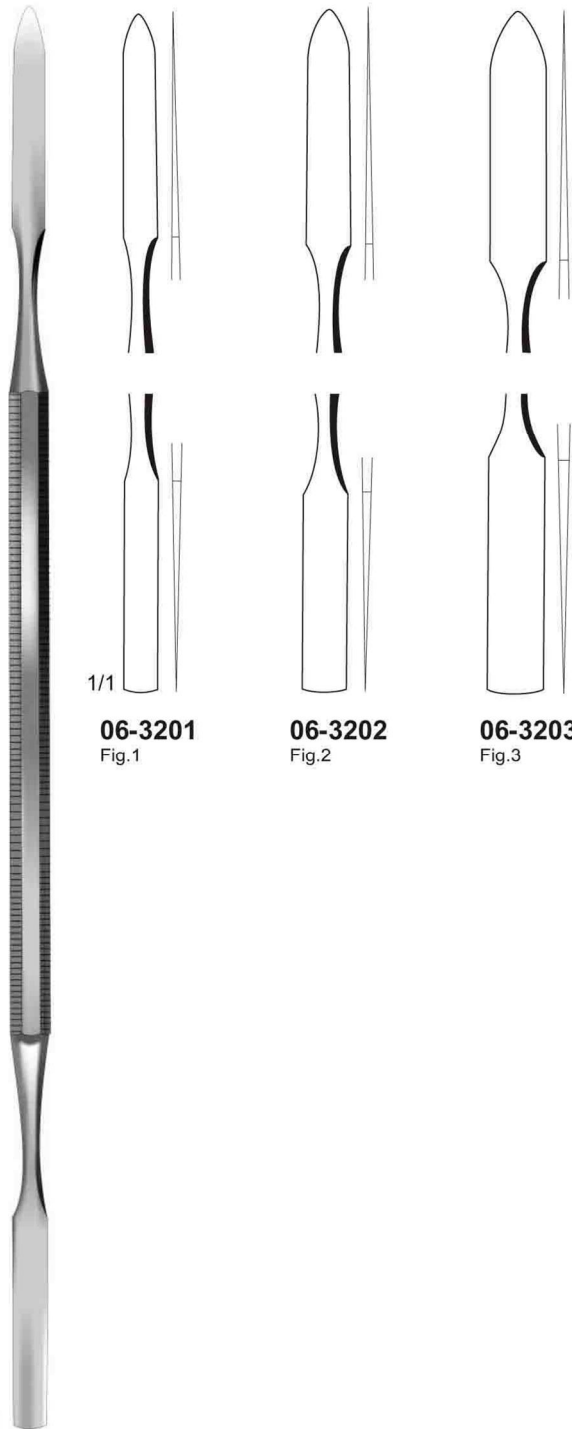
06-3035
 Fig.35

06-3036
 Fig.36

06-3037
 Fig.37

06-2713 - 06-3037





1/1

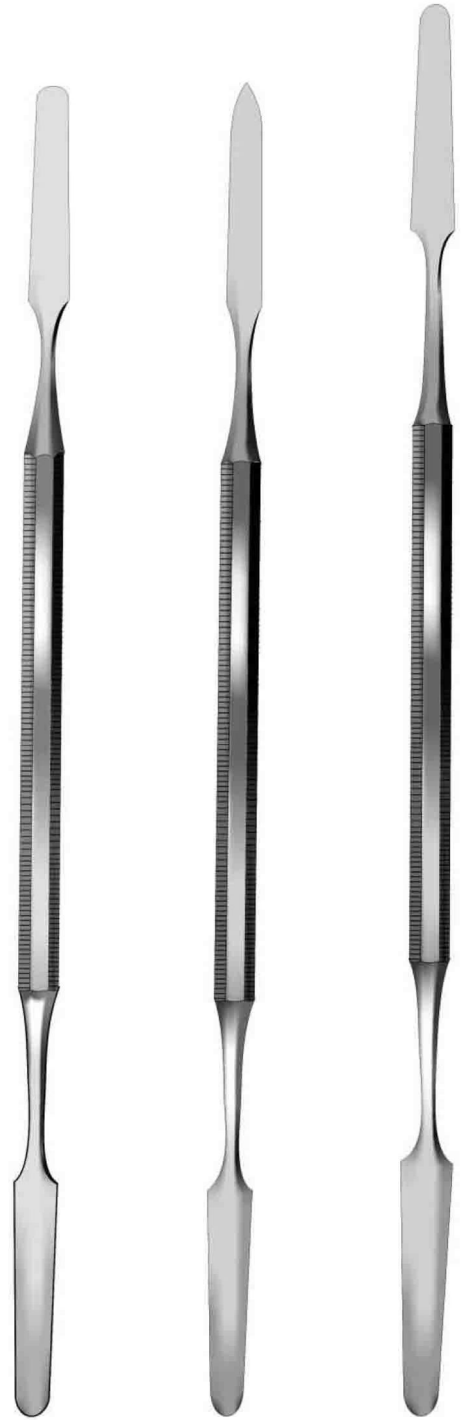
06-3201
Fig.1

06-3202
Fig.2

06-3203
Fig.3

1/1

06-3201 - 06-3203



06-3301

06-3302

06-3304

